

Data Sheet

Thermostat
Type **KP**

The KP Thermostats are single-pole, double-throw (SPDT) temperature-operated electric switches.

They can be connected directly to a single-phase AC motor of up to approx. 2 kW or installed in the control circuit of DC motors and large AC motors.

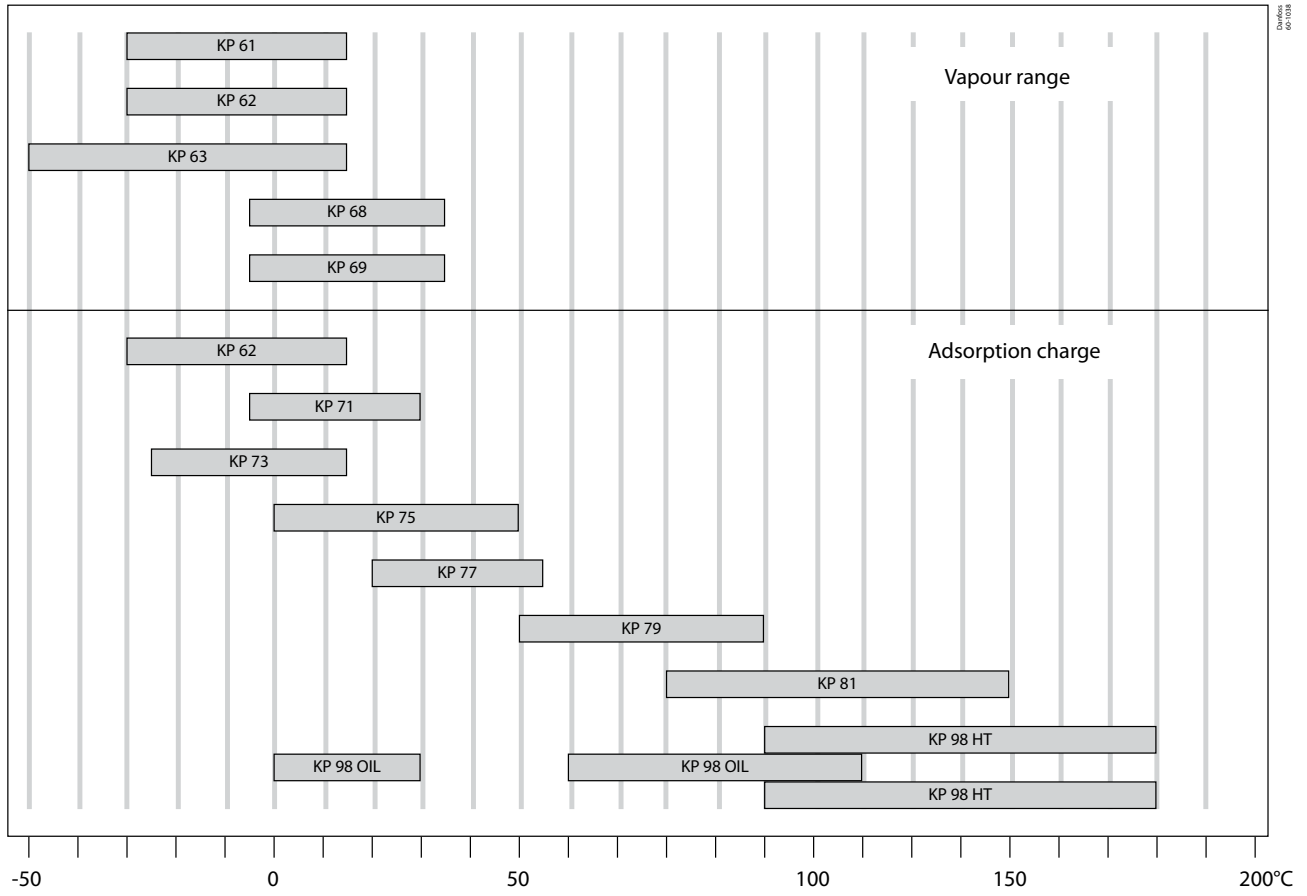
The KP Thermostats are used for regulation, but can also be seen in safety monitoring systems.

They are available with vapour charge or with adsorption charge. With vapour charge the differential is very small. The KP Thermostats with adsorption charge are widely used to give frost protection.

Features

- Wide regulating range
- Can be used for deep freeze, refrigeration and air conditioning plant
- Welded bellows elements mean increased reliability
- Small dimensions. Easy to install in refrigerated counters or cold rooms
- Ultra-short bounce times. This gives long operating life, reduces wear to a minimum and increases reliability
- Standard versions with changeover switch. Possible to obtain opposite contact function or to connect a signal
- Electrical connection at the front of the unit.
 - Facilitates rack mounting
 - Saves space
- Suitable for alternating and direct current
- Cable entry of soft thermoplastic for cables from 6 to 14 mm diameter
- Extensive and wide range

Portfolio overview



Product specification

Technical data

Table 1: Technical data

Features	Description
Ambient temperature	-40 – 65 °C (80 °C for max. 2 hours)
Switch	Single-pole, double-throw (SPDT) changeover switch
Contact load	Alternating current
	AC1 = 16 A, 400 V
	AC3 = 16 A, 400 V
Wire dimensions	Direct current
	DC13: 12 W, 220 V control current
	solid / stranded
Tightening torque	0.75 – 2.5 mm ²
	flexible, without ferrules
	flexible, with ferrules
Rated impulse voltage	max. 2 Nm
Pollution degree	4 kV
Short circuit protection, fuse	3
Insulation	16 A
Enclosure	400 V
	IP30 / IP44

Cable connection

Cable entry for cables 6 – 14 mm dia. A Pg 13.5 screwed cable entry can be used for 6 – 14 mm dia. cables. With 8 – 16 mm cables a standard Pg 16 screwed cable entry can be used.

Enclosure IP30 to EN 60529 / IEC 529

This grade of enclosure is obtained when the unit is mounted on a flat surface or bracket. The bracket must be fixed so that all unused holes are covered.

Contact systems

Table 2: Contact systems

KP temperature control	KP 98

Terminology

Differential

The differential is the difference between the make and break temperatures. A differential is necessary for satisfactory automatic operation of the plant.

Mechanical differential (intrinsic differential)

The mechanical differential is the differential set by the differential spindle.

Operating differential (thermal differential)

The operating differential is the differential the plant operates on. Operating differential is the sum of the mechanical differential and the differential produced by the time constant.

Reset

1. Manual reset:

Units with manual reset can only be restarted after the reset button has been activated. On min. reset units the set value is equal to the cut-out value for falling temperature. On max. reset units the set value is equal to the cut-out value for rising temperature.

Thermostat, Type KP

2. Automatic reset:

These units are automatically reset after operational stop.

Setting

Thermostats with automatic reset

Set the upper activating temperature on the range scale.

Set the differential on the "DIFF" scale. The temperature setting on the range scale will then correspond to the temperature at which the refrigeration compressor will be started on rising temperature. The compressor will be stopped when the temperature has fallen in relation to the differential setting.

Note that the differential depends on the range setting. Therefore, the differential scale must only be used as guideline.

If with low stop temperature settings the compressor will not stop, check whether the differential is set at too high a value!

Thermostats with minimum reset

Set the stop temperature on the range scale. The differential is a fixed setting.

The compressor can be restarted by pressing the "Reset button" after the temperature on the thermostat sensor has risen by a value equal to the fixed differential setting.

Thermostats with maximum reset

Set the stop temperature on the range scale. The differential is a fixed setting.

The compressor can be restarted by pressing the "Reset button" after the temperature on the thermostat sensor has fallen to a value equal to the fixed differential setting.

Design and function

Figure 1: Key sketch of KP thermostat

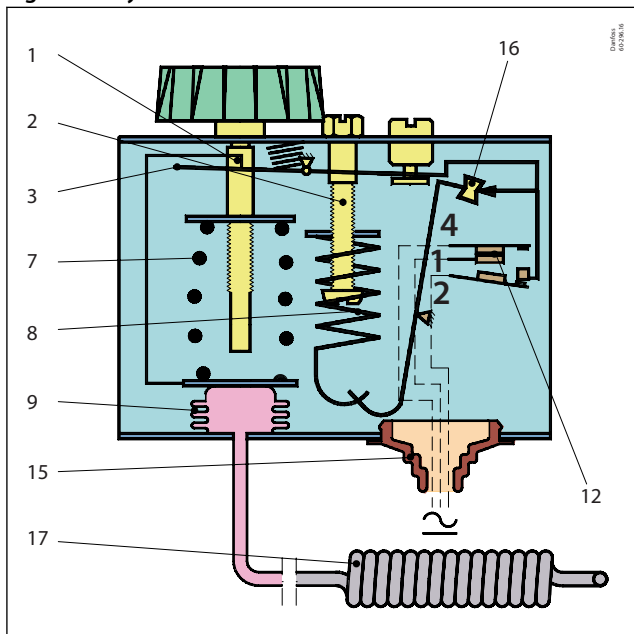
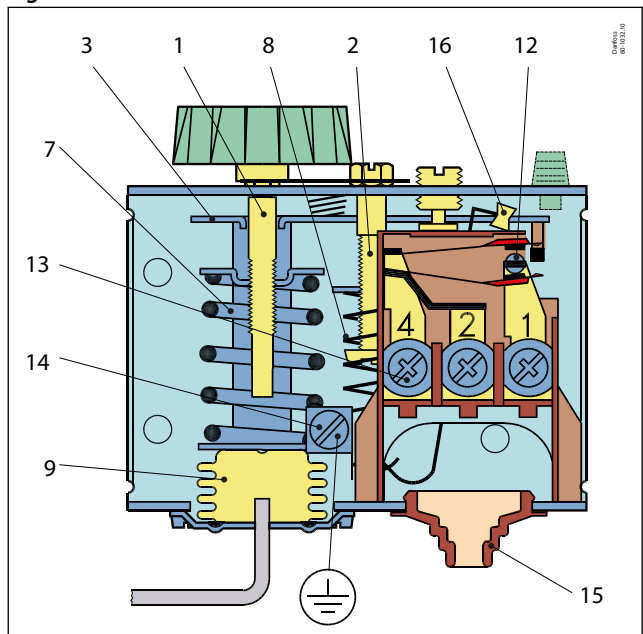


Figure 2: KP thermostat



Thermostat, Type KP

Figure 3: Adsorption charge

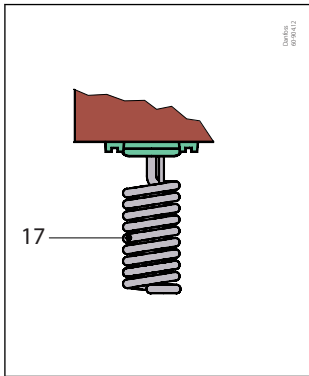


Figure 4: Vapour charge

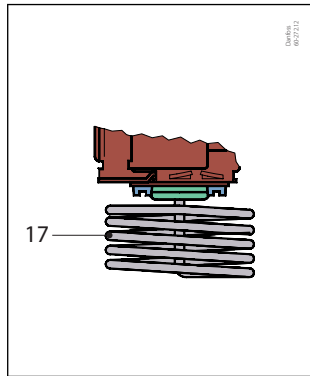


Figure 5: Adsorption charge

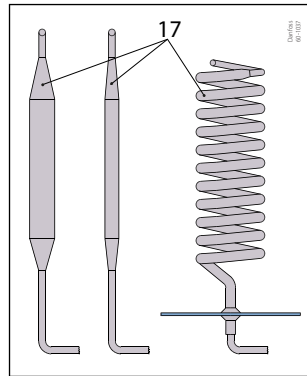
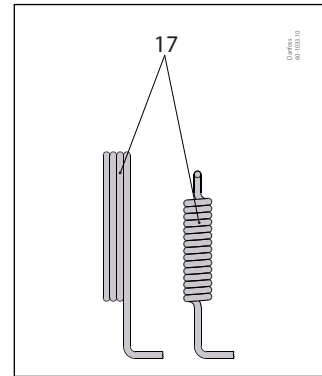


Figure 6: Vapour charge



1	Temperature setting spindle	12	Switch
2	Differential setting spindle	13	Terminals
3	Main arm	14	Earth terminal
7	Main spring	15	Cable entry
8	Differential spring	16	Tumbler
9	Bellows	17	Sensor

The switch in the KP has a snap-action function and the bellows move only when the cut-in or cut-out value is reached.

The design of the KP thermostats affords the following advantages:

- High contact load
- Ultra-short bounce time
- Vibration resistance up to 4 g
- In the range 0 – 1000 Hz
- Long mechanical and electrical life

Figure 7: KP thermostat, dual type

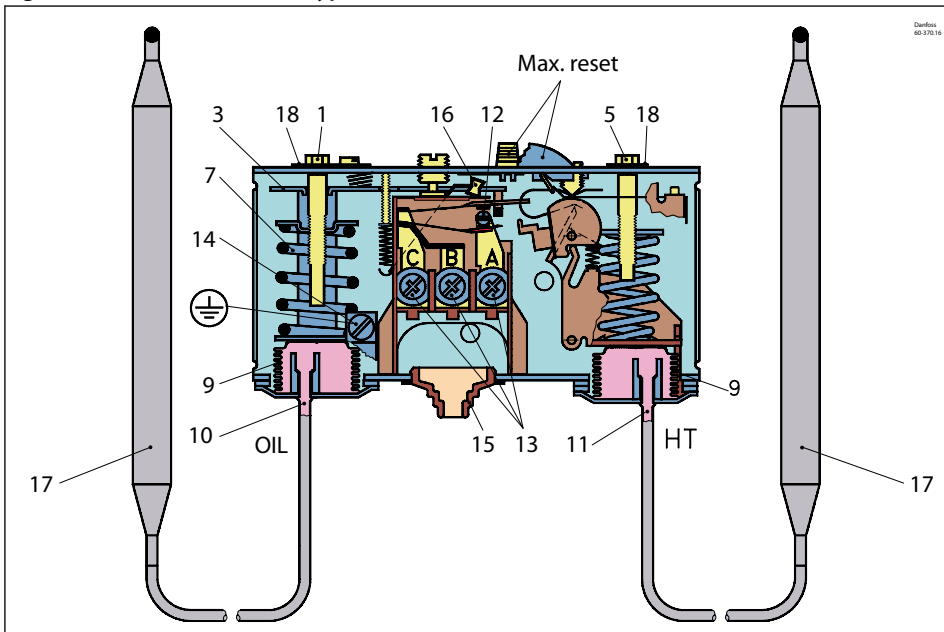
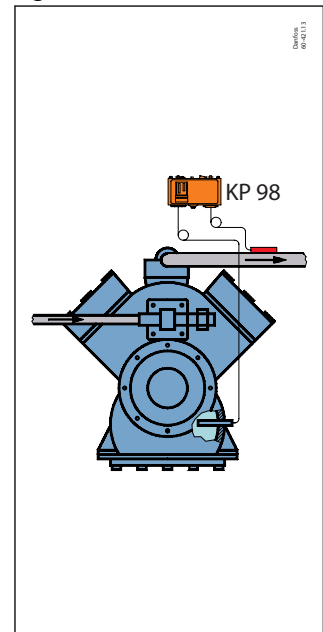


Figure 8: KP 98



Thermostat, Type KP

1	Temperature setting spindle, OIL	12	Switch
3	Main arm	13	Terminals
5	Temperature setting spindle, HT	14	Earth terminal
7	Main spring	15	Cable entry
9	Bellows	16	Tumbler
10	Capillary tube, OIL	17	Sensor (bulb)
11	Capillary tube, HT	18	Locking plate

Dual thermostat KP 98 is used to provide protection against excessively high discharge gas temperature and to ensure a suitable oil temperature in the compressor.

To avoid the temperature of the hot gas exceeding the maximum permissible value during extreme operating conditions (low evaporating pressure, high condensing pressure, high suction vapour superheat) a KP 98 thermostat can be used on the high temperature side (HT). If the temperature of the hot gas becomes too high the refrigerant will break down and the compressor discharge valve will become damaged.

The risk is greatest in refrigeration systems that operate on a high compression ratio (e.g. in systems with NH₃ or R22) and in applications with hot gas bypass.

This unit has two separate thermostat functions. The HT sensor that controls the discharge gas temperature is fitted on the discharge tube immediately after the compressor.

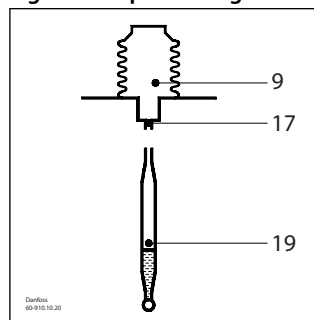
For larger compressors, the sensor can be built into the discharge line.

The OIL sensor that controls the oil temperature is located in the compressor oil sump.

Charges

1. Vapour charge

Figure 9: Vapour charge



9	Bellows element
17	Sensor (bulb)
19	Capillary tube

Here the interdependence between the pressure and temperature of saturated vapour is utilized, i.e. the element is charged with saturated vapour plus a small amount of liquid.

The charge is pressure-limited; a further increase in pressure after evaporation of all the liquid in the sensor (17) will only result in a small pressure increase in the element.

This principle can be utilized in thermostats for low temperature, etc. where evaporation must be able to take place from the free liquid surface in the sensor (within the operating range of the thermostat), and where at the same time, the bellows must be protected against deformation when kept at normal ambient temperatures. Since the pressure in the element depends on the temperature at the free liquid surface, the thermostat must always be placed so that the sensor is colder than the rest of the thermostatic element.

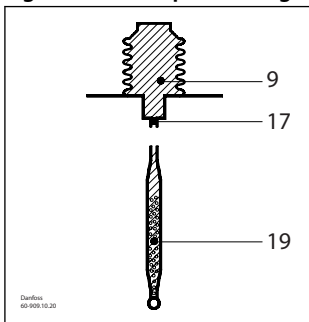
The evaporated liquid will recondense at the coldest point, i.e. the sensor. Thus, as intended, the sensor becomes the temperature-controlling part of the system.

i NOTE:

When the sensor is coldest, the ambient temperature has no effect on regulating accuracy.

2. Adsorption charge

Figure 10: Adsorption charge



- | | |
|----|-----------------|
| 9 | Bellows element |
| 17 | Sensor (bulb) |
| 19 | Capillary tube |

In this case the charge consists partly of a superheated gas and partly of a solid having a large adsorption surface.

The solid is concentrated in the sensor (17) and it is therefore always the sensor that is the temperature-controlling part of the thermostatic element.

The sensor can be placed warmer or colder than thermostat housing and capillary tube, but variations from 20 °C ambient temperature will influence the scale accuracy.

Dimensions [mm] and weights [kg]

Figure 11: KP 61 – 81

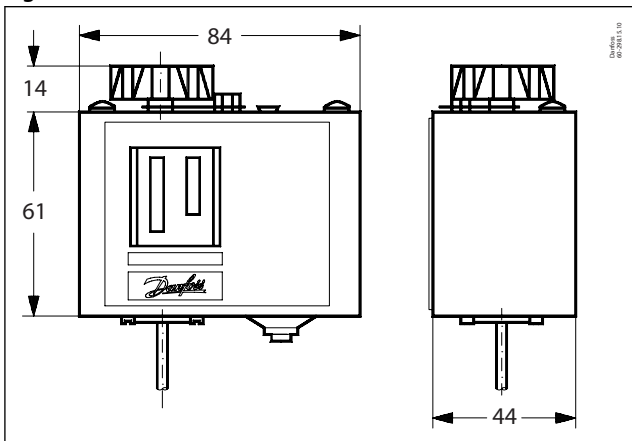


Figure 12: Mounting holes (back of KP)

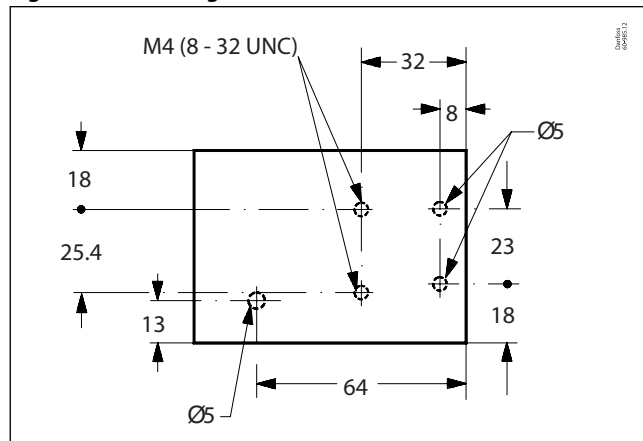


Figure 13: KP 98

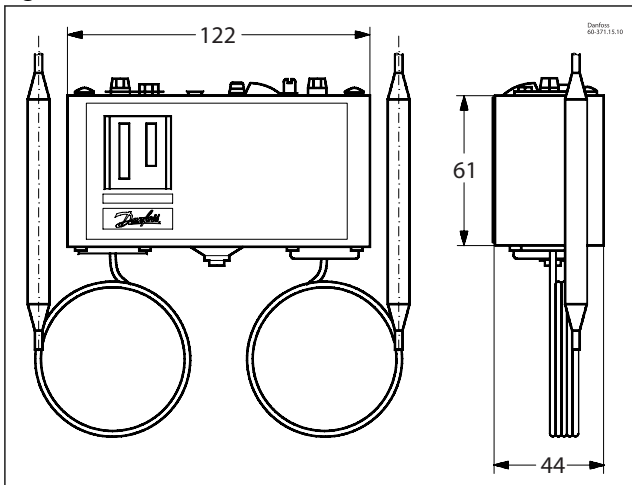
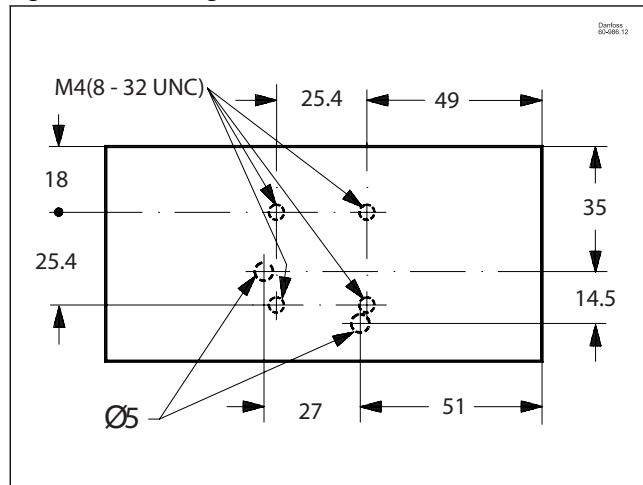


Figure 14: Mounting holes (back of KP)



Ordering

Table 3: Standard thermostat type KP

Charge	Type	Bulb type	Regulating range	Differential Δt		Reset	Max. bulb temp.	Capillary tube length	Code no.
				Lowest temperature	Highest temperature				
				[°C]	[°C]				
Vapour ⁽¹⁾	KP 61	A	-30 – 15	5.5 – 23	1.5 – 7	aut.	120	2	060L110066
	KP 61	A	-30 – 15	5.5 – 23	1.5 – 7	aut.	120	5	060L110166
	KP 61	B	-30 – 13	4.5 – 23	1.2 – 7	aut.	120	2	060L110266
	KP 61	B	-30 – 15	5.5 – 23	1.5 – 7	aut.	120	2	060L110366 ⁽³⁾
	KP 61	B	-30 – 15	5.5 – 23	1.5 – 7	aut.	120	2	060L112866 ^{(3) (4)}
	KP 61	A	-30 – 15	Fixed 6	Fixed 2	min.	120	5	060L110466
	KP 61	B	-30 – 15	Fixed 6	Fixed 2	min.	120	2	060L110566
	KP 62	C 1	-30 – 15	6.0 – 23	1.5 – 7	aut.	120	–	060L110666
	KP 63	A	-50 – 10	10.0 – 70	2.7 – 8	aut.	120	2	060L110766
	KP 63	B	-50 – 10	10.0 – 70	2.7 – 8	aut.	120	2	060L110866
	KP 68	C 1	-5 – 35	4.5 – 25	1.8 – 7	aut.	120	–	060L111166
	KP 69	B	-5 – 35	4.5 – 25	1.8 – 7	aut.	120	2	060L111266
	Adsorbition ⁽²⁾	KP 62	C 2	-30 – 15	5.0 – 20	2.0 – 8	aut.	80	–
KP 71		E 2	-5 – 20	3.0 – 10	2.2 – 9	aut.	80	2	060L111366
KP 71		E 2	-5 – 20	Fixed 3	Fixed 3	min.	80	2	060L111566
KP 73		E 1	-25 – 15	12.0 – 70	8.0 – 25	aut.	80	2	060L111766
KP 73		D 1	-25 – 15	4.0 – 10	3.5 – 9	aut.	80	2	060L111866 ⁽³⁾
KP 73		D 1	-25 – 15	Fixed 3.5	Fixed 3.5	min.	80	2	060L113866
KP 73		D 2	-20 – 15	4.0 – 15	2.0 – 13	aut.	55	3	060L114066
KP 73		D 1	-25 – 15	3.5 – 20	3.25 – 18	aut.	80	2	060L114366
KP 75		F	0 – 35	3.5 – 16	2.5 – 12	aut.	110	2	060L112066
KP 75		E 2	0 – 35	3.5 – 16	2.5 – 12	aut.	110	2	060L113766
KP 77		E 3	20 – 60	3.5 – 10	3.5 – 10	aut.	130	2	060L112166
KP 77		E 3	20 – 60	3.5 – 10	3.5 – 10	aut.	130	3	060L112266
KP 77		E 2	20 – 60	3.5 – 10	3.5 – 10	aut.	130	5	060L116866
KP 79		E 3	50 – 100	5.0 – 15	5.0 – 15	aut.	150	2	060L112666
KP 81		E 3	80 – 150	7.0 – 20	7.0 – 20	aut.	200	2	060L112566
KP 81		E 3	80 – 150	Fixed 8	Fixed 8	max.	200	2	060L115566
KP 98	E 2	OIL: 60 – 120	OIL: Fixed 14	OIL: Fixed 14	max.	150	1	060L113166	
	E 2	HT: 100 – 180	HT: Fixed 25	HT: Fixed 25	max.	250	2		

⁽¹⁾ Bulb must always be placed colder than the thermostat housing and capillary tube. The thermostat will then regulate independent of ambient temperature.

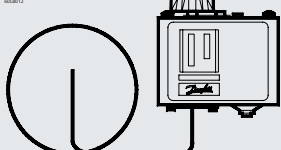
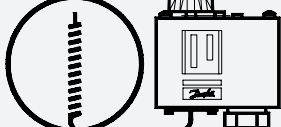

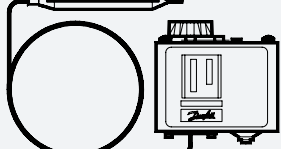
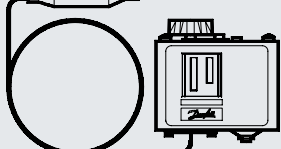
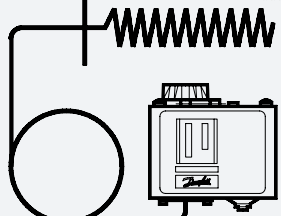
⁽²⁾ Bulb can be placed warmer or colder than thermostat housing and capillary tube, but variations from 20 °C ambient temperature will influence the scale accuracy.

⁽³⁾ With manual switch, not isolating switch.

⁽⁴⁾ Panel mounting model with top plate.

Thermostat, Type KP

Table 4: Thermostat bulb types

	Thermostat bulb types	Description
A		Straight capillary tube
B		ø9.5 × 70 mm remote air coil
C		C1: ø40 × 30 mm air coil C2: ø25 × 67 mm air coil (integral with thermostat)
D		D1: ø10 × 85 mm double contact remote bulb D2: ø16 × 170 mm double contact remote bulb NOTE: Cannot be used in sensor (bulb) pocket
E		E1: ø6.4 × 95 mm remote bulb E2: ø9.5 × 115 mm remote bulb E3: ø9.5 × 85 mm remote bulb
F		ø25 × 125 mm remote duct coil

Certificates, declarations, and approvals

The list contains all certificates, declarations, and approvals for this product type. Individual code number may have some or all of these approvals, and certain local approvals may not appear on the list.

Some approvals may change over time. You can check the most current status at danfoss.com or contact your local Danfoss representative if you have any questions.

Table 5: Certificates, declarations, and approvals

Document name	Document type	Document topic	Approval authority
060-9638.AA	Manufacturers Declaration	China RoHS	Danfoss
060-9650.AD	EU Declaration	LVD/RoHS	Danfoss
BV 02281-J0 BV	Marine - Safety Certificate		BV
BV SMS.W.II-2179-B.0	Marine - Manufacturing Permission		BV
CCC 2003010305069849	Electrical - Safety Certificate		CCC
DNV GL TAA000026F	Marine - Safety Certificate		DNV GL
LR 17-20046	Marine - Safety Certificate		LR
RINA ELE-086320XG-001	Marine - Safety Certificate		RINA
UL E31024	Electrical - Safety Certificate		UL

Online support

Danfoss offers a wide range of support along with our products, including digital product information, software, mobile apps, and expert guidance. See the possibilities below.

The Danfoss Product Store



The Danfoss Product Store is your one-stop shop for everything product related—no matter where you are in the world or what area of the cooling industry you work in. Get quick access to essential information like product specs, code numbers, technical documentation, certifications, accessories, and more.

Start browsing at store.danfoss.com.

Find technical documentation



Find the technical documentation you need to get your project up and running. Get direct access to our official collection of data sheets, certificates and declarations, manuals and guides, 3D models and drawings, case stories, brochures, and much more.

Start searching now at www.danfoss.com/en/service-and-support/documentation.

Danfoss Learning



Danfoss Learning is a free online learning platform. It features courses and materials specifically designed to help engineers, installers, service technicians, and wholesalers better understand the products, applications, industry topics, and trends that will help you do your job better.

Create your Danfoss Learning account for free at www.danfoss.com/en/service-and-support/learning.

Get local information and support



Local Danfoss websites are the main sources for help and information about our company and products. Find product availability, get the latest regional news, or connect with a nearby expert—all in your own language.

Find your local Danfoss website here: www.danfoss.com/en/choose-region.

Coolselector®2 - find the best components for you HVAC/R system



Coolselector®2 makes it easy for engineers, consultants, and designers to find and order the best components for refrigeration and air conditioning systems. Run calculations based on your operating conditions and then choose the best setup for your system design.

Download Coolselector®2 for free at coolselector.danfoss.com.