

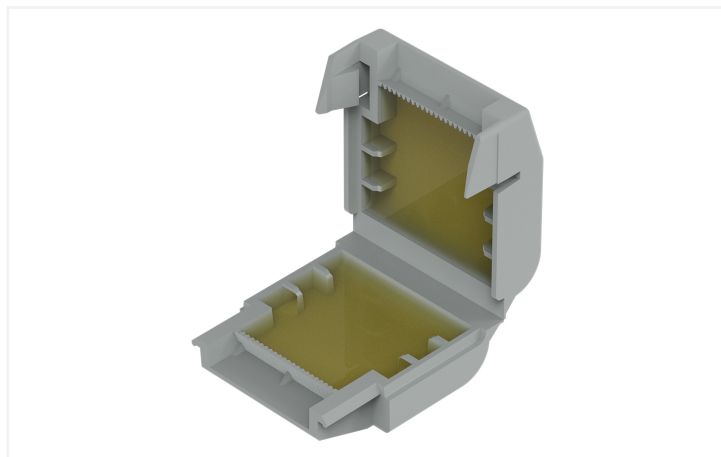
Data Sheet | Item Number: 207-1331

Gelbox; Derivație; pentru cabluri; cu gel; Seriile 221, 2x73; conectori de max. 4 mm²; fără conectori pentru cutia de joncțiune; Mărimea 1; gri

<https://www.wago.com/207-1331>



Color: ■ gri



Note on Packaging Unit (PU) and Subpackaging Unit (SPU):

If you order a full PU, you will receive our eco-friendly, sustainable cardboard blisters packed in a shelf-ready box.

If you order a quantity smaller than a full PU, you will receive the eco-friendly, sustainable cardboard blisters without a shelf-ready box.

Please refer to the system description for the splicing connectors that can be used.

Your benefits:

- Easy, fast and safe to use
- Can be used immediately and accessed again later
- Silicon-free
- Label-free
- Suitable for indefinite storage
- The complete system consisting of WAGO's gelboxes and splicing connectors has been VDE-tested and IPX8-certified.

Connection data

Connection 1

| | |
|----------------|----------------|
| Actuation type | Locking system |
|----------------|----------------|

Physical data

| | |
|--------|----------------------|
| Width | 32 mm / 1.26 inci |
| Height | 17,8 mm / 0.701 inci |
| Depth | 33,6 mm / 1.323 inci |

Mechanical data

| | |
|-----------------|--|
| Design | Size 1 |
| Mounting type | Flying leads |
| Protection type | IPX8 |
| Suitable | für Verbindungsklemmen 4 mm ² |

Material data

| | |
|----------------------|--|
| Note (material data) | Information on material specifications can be found here |
| Color | gri |
| Housing material | Polypropylene |
| Fire load | 0 MJ |
| Weight | 12 g |

Environmental requirements

| | |
|---------------------------------|----------------|
| Ambient temperature (operation) | -55 ... +85 °C |
| Ambient temperature (storage) | 0 ... +40 °C |

Commercial data

| | |
|-----------------------|---------------|
| ETIM 8.0 | EC001170 |
| ETIM 7.0 | EC001170 |
| PU (SPU) | 48 (4) Buc. |
| Country of origin | DE |
| GTIN | 4055143997799 |
| Customs tariff number | 85389099990 |

| Environmental Product Compliance | |
|----------------------------------|-------------------------|
| RoHS Compliance Status | Compliant, No Exemption |

Approvals / Certificates

| General approvals | | | Declarations of conformity and manufacturer's declarations | | |
|--|----------|------------------|--|----------|------------------|
| | | | | | |
| Approval | Standard | Certificate Name | Approval | Standard | Certificate Name |
| VDE VDE Prüf- und Zertifizierungsinstitut | EN 60998 | 400051938 | EU-Declaration of Conformity WAGO GmbH & Co. KG | - | - |
| | | | UK-Declaration of Conformity WAGO GmbH & Co. KG | - | - |

Downloads

| Documentation | | | |
|--|-------------------|----------|------------------|
| System Description | | Bid Text | |
| System Description 207 Series Gel boxes | pdf 1156.45 KB | 207-1331 | xml 3.58 KB |
| System Description 207 Series Gel boxes | pdf 1191.37 KB | 207-1331 | docx 20.35 KB |

CAD/CAE-Data

| CAD data | CAE data |
|--------------------------|--------------------------|
| 2D/3D Models 207-1331 | ZUKEN Portal 207-1331 |

Installation Notes

Installation

Open the Gelbox at the side latches.

Place the wired connector in the Gelbox.

Place the wired connector in the Gelbox.

Close the Gelbox.

Close latch securely.

Re-accessible:

- Open the Gelbox.
- Remove the gel.
- Rewire with new components.



Lift the flap and pull the cover perforation forward.



Press in the perforation on the sides.



Tear off the cover from the perforation.



As a counter display: Bend the rear flap at the fold, straighten it and fix it in the cardboard cut-out



If the flap is not required, tear off from the perforation.