

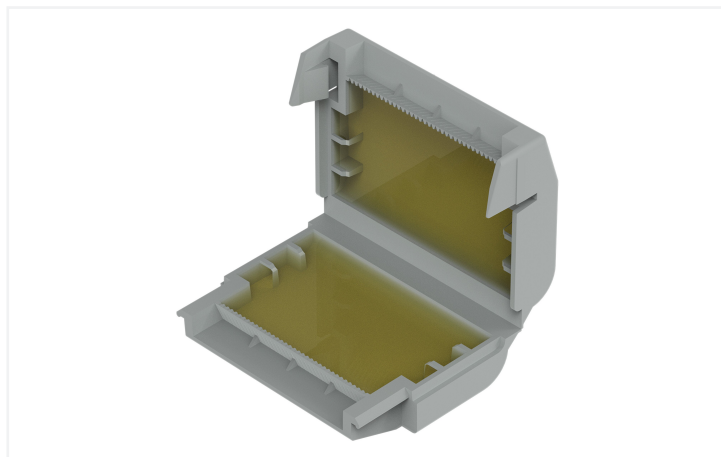
**Data Sheet | Item Number: 207-1332**

Gelbox; Derivație; pentru cabluri; cu gel; Seriile 221, 2x73; conectori de max. 4 mm<sup>2</sup>; fără conectori pentru cutia de joncțiune; Mărimea 2; gri

<https://www.wago.com/207-1332>



Color: ■ gri



Note on Packaging Unit (PU) and Subpackaging Unit (SPU):

If you order a full PU, you will receive our eco-friendly, sustainable cardboard blisters packed in a shelf-ready box.

If you order a quantity smaller than a full PU, you will receive the eco-friendly, sustainable cardboard blisters without a shelf-ready box.

Please refer to the system description for the splicing connectors that can be used.

Your benefits:

- Easy, fast and safe to use
- Can be used immediately and accessed again later
- Silicon-free
- Label-free
- Suitable for indefinite storage
- The complete system consisting of WAGO's gelboxes and splicing connectors has been VDE-tested and IPX8-certified.

## Connection data

### Connection 1

|                |                |
|----------------|----------------|
| Actuation type | Locking system |
|----------------|----------------|

## Physical data

|        |                      |
|--------|----------------------|
| Width  | 45,9 mm / 1.807 inci |
| Height | 17,8 mm / 0.701 inci |
| Depth  | 33,6 mm / 1.323 inci |

## Mechanical data

|                 |  |
|-----------------|--|
| Design          | Size 2                                   |
| Mounting type   | Flying leads                             |
| Protection type | IPX8                                     |
| Suitable        | für Verbindungsklemmen 4 mm <sup>2</sup> |

## Material data

|                      |  |
|----------------------|--|
| Note (material data) | <a href="https://www.wago.com/us/material-specifications" href="_blank">Information on material specifications can be found here</a> |
| Color                | gri  |
| Housing material     | Polypropylene  |
| Fire load            | 0 MJ   |
| Weight               | 18.4 g   |

## Environmental requirements

|                                 |                |
|---------------------------------|----------------|
| Ambient temperature (operation) | -55 ... +85 °C |
| Ambient temperature (storage)   | 0 ... +40 °C   |

## Commercial data

|                       |               |
|-----------------------|---------------|
| ETIM 8.0              | EC001170      |
| ETIM 7.0              | EC001170      |
| PU (SPU)              | 48 (4) Buc.   |
| Country of origin     | DE            |
| GTIN                  | 4055143998017 |
| Customs tariff number | 85389099990   |

| Environmental Product Compliance |                         |
|----------------------------------|-------------------------|
| RoHS Compliance Status           | Compliant, No Exemption |

### Approvals / Certificates

| General approvals                            |          |                  | Declarations of conformity and manufacturer's declarations |          |                  |
|--|----------|------------------|--|----------|------------------|
|  |          |                  |  |          |                  |
| Approval                                     | Standard | Certificate Name | Approval   | Standard | Certificate Name |
| VDE<br>VDE Prüf- und Zertifizierungsinstitut | EN 60998 | 400051938        | EU-Declaration of Conformity<br>WAGO GmbH & Co. KG         | -        | -                |
|  |          |                  | UK-Declaration of Conformity<br>WAGO GmbH & Co. KG         | -        | -                |

### Downloads

| Documentation                              |                   |          |                  |
|--|-------------------|----------|------------------|
| System Description                         |                   | Bid Text |                  |
| System Description<br>207 Series Gel boxes | pdf<br>1156.45 KB | 207-1332 | xml<br>3.58 KB   |
| System Description<br>207 Series Gel boxes | pdf<br>1191.37 KB | 207-1331 | docx<br>20.38 KB |

### CAD/CAE-Data

| CAD data                 | CAE data                 |
|--------------------------|--------------------------|
| 2D/3D Models<br>207-1332 | ZUKEN Portal<br>207-1332 |

### Installation Notes

#### Installation

Open the Gelbox at the side latches.

Place the wired connector in the Gelbox.

Place the wired connector in the Gelbox.

Close the Gelbox.

Close latch securely.

Re-accessible:

- Open the Gelbox.
- Remove the gel.
- Rewire with new components.



Lift the flap and pull the cover perforation forward.



Press in the perforation on the sides.



Tear off the cover from the perforation.



As a counter display: Bend the rear flap at the fold, straighten it and fix it in the cardboard cut-out



If the flap is not required, tear off from the perforation.