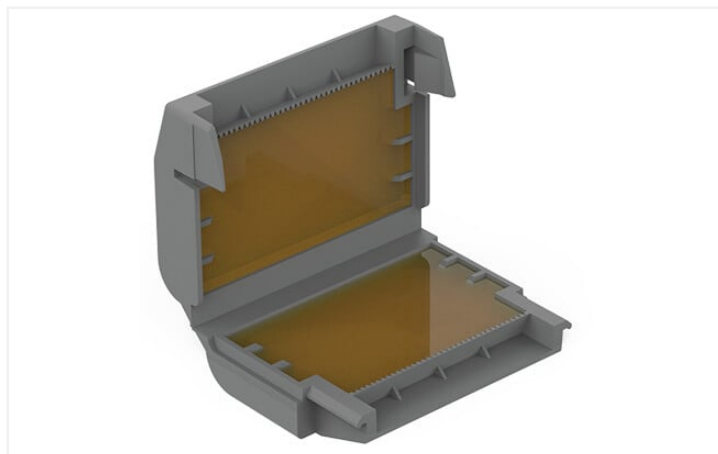


## Data Sheet | Item Number: 207-1432

Gelbox; Derivație; pentru cabluri; cu gel; Seria 221; conectori de max. 6 mm<sup>2</sup>; fără conectori pentru cutia de joncțiune; Mărimea 2; gri

<https://www.wago.com/207-1432>



Color: ■ gri

Note on Packaging Unit (PU) and Subpackaging Unit (SPU):

If you order a full PU, you will receive our eco-friendly, sustainable cardboard blisters packed in a shelf-ready box.

If you order a quantity smaller than a full PU, you will receive the eco-friendly, sustainable cardboard blisters without a shelf-ready box.

Please refer to the system description for the splicing connectors that can be used.

Your benefits:

- Easy, fast and safe to use
- Can be used immediately and accessed again later
- Silicon-free
- Label-free
- Suitable for indefinite storage
- The complete system consisting of WAGO's gelboxes and splicing connectors has been VDE-tested and IPX8-certified.

### Connection data

#### Connection 1

|                |                |
|----------------|----------------|
| Actuation type | Locking system |
|----------------|----------------|

### Physical data

|        |                      |
|--------|----------------------|
| Width  | 49,4 mm / 1.945 inci |
| Height | 21,3 mm / 0.839 inci |
| Depth  | 40,1 mm / 1.579 inci |

### Mechanical data

|                 |  |
|-----------------|--|
| Design          | Size 2                                   |
| Mounting type   | Flying leads                             |
| Protection type | IPX8                                     |
| Suitable        | für Verbindungsklemmen 6 mm <sup>2</sup> |

### Material data

|                      |  |
|----------------------|--|
| Note (material data) | <a href="https://www.wago.com/us/material-specifications" href="_blank">Information on material specifications can be found here</a> |
| Color                | gri  |
| Housing material     | Polypropylene  |
| Fire load            | 0 MJ   |
| Weight               | 25.5 g   |

### Environmental requirements

|                                 |                |
|---------------------------------|----------------|
| Ambient temperature (operation) | -55 ... +85 °C |
| Ambient temperature (storage)   | 0 ... +40 °C   |

### Commercial data

|                       |               |
|-----------------------|---------------|
| ETIM 8.0              | EC001170      |
| ETIM 7.0              | EC001170      |
| PU (SPU)              | 36 (3) Buc.   |
| Country of origin     | IT            |
| GTIN                  | 4055144097290 |
| Customs tariff number | 85389099990   |

### Environmental Product Compliance

|                        |                         |
|------------------------|-------------------------|
| RoHS Compliance Status | Compliant, No Exemption |
|------------------------|-------------------------|

### Approvals / Certificates

#### General approvals



| Approval                                     | Standard | Certificate Name |
|--|----------|------------------|
| VDE<br>VDE Prüf- und Zertifizierungsinstitut | EN 60669 | 400051938        |

#### Declarations of conformity and manufacturer's declarations

| Approval   | Standard | Certificate Name |
|--|----------|------------------|
| EU-Declaration of Conformity<br>WAGO GmbH & Co. KG | -        | -                |
| UK-Declaration of Conformity<br>WAGO GmbH & Co. KG | -        | -                |

### Downloads

#### Documentation

##### System Description

|  |                   |   |
|--|-------------------|---|
| System Description<br>207 Series Gel boxes | pdf<br>1156.45 KB | ↓ |
| System Description<br>207 Series Gel boxes | pdf<br>1191.37 KB | ↓ |

##### Bid Text

|          |                  |   |
|----------|------------------|---|
| 207-1432 | xml<br>3.58 KB   | ↓ |
| 207-1432 | docx<br>20.44 KB | ↓ |

### CAD/CAE-Data

CAD data

2D/3D Models  
207-1432



## Installation Notes

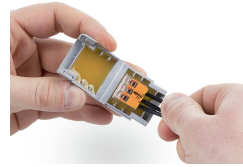
### Installation



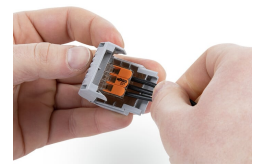
Open the Gelbox at the side latches.



Place the wired connector in the Gelbox.



Place the wired connector in the Gelbox.



Close the Gelbox.



Close latch securely.



Re-accessible:

- Open the Gelbox.
- Remove the gel.
- Rewire with new components.



Lift the flap and pull the cover perforation forward.



Press in the perforation on the sides.



Tear off the cover from the perforation.



As a counter display: Bend the rear flap at the fold, straighten it and fix it in the cardboard cut-out



If the flap is not required, tear off from the perforation.