

Data Sheet | Item Number: 221-413

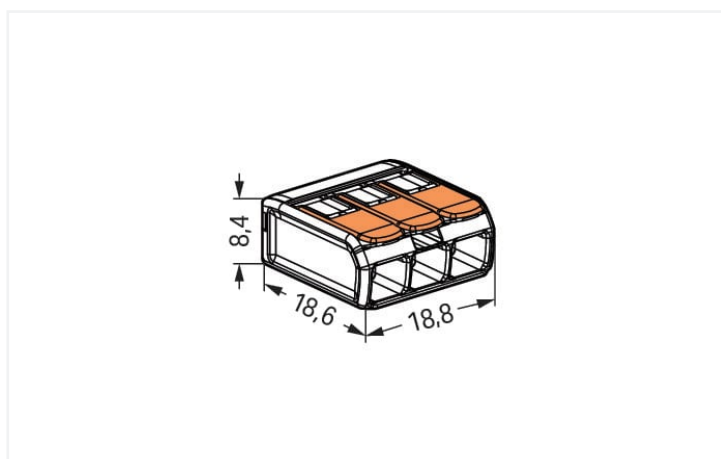
Conector COMPACT; pentru toate tipurile de conductori; max. 4 mm²; 3 conductori;
cu levieri; carcasă transparentă; Temperatură aer ambiant: max 85°C (T85); 4,00
mm²; transparent



<https://www.wago.com/221-413>



Color: transparent



Dimensions in mm

Your benefits:

- Ease of use – pull the lever up, insert a conductor and push the lever back down
- Available as 2-, 3- and 5-wire connectors
- Easily terminate conductors from 0.14 to 4 mm²
- Connect solid, stranded and fine-stranded conductors
- Save time for installers and device manufacturers
- Quickly install devices with higher power consumption
- Safely install long cable runs with larger conductor cross sections
- Mounting carrier for installation conforms to standards
- Custom carriers are possible

Electrical data

| Ratings per | | | | EN 60664 | | | Approvals per | | | | UL 486C | | | | |
|----------------------|-----|-----|-------|-----------|---|---|---------------|---------------|---|-------|---------|---------------|---|------|---|
| Overvoltage category | III | III | II | Use group | B | C | D | Rated voltage | - | 600 V | - | Rated current | - | 20 A | - |
| Pollution degree | 3 | 2 | 2 | | | | | | | | | | | | |
| Nominal voltage | - | - | 450 V | | | | | | | | | | | | |
| Rated surge voltage | - | - | 4 kV | | | | | | | | | | | | |
| Rated current | - | - | 32 A | | | | | | | | | | | | |

Connection data

| Connection points | | 3 | | Connection 1 | | | |
|----------------------------|--|---|--|---------------------------------|--|--|--|
| Total number of potentials | | 1 | | Connection technology | CAGE CLAMP® | | |
| | | | | Actuation type | Lever | | |
| | | | | Connectable conductor materials | Copper | | |
| | | | | Nominal cross-section | 4 mm ² / 12 AWG | | |
| | | | | Solid conductor | 0,2 ... 4 mm ² / 24 ... 12 AWG | | |
| | | | | Stranded conductor | 0,2 ... 4 mm ² / 24 ... 12 AWG | | |
| | | | | Fine-stranded conductor | 0,14 ... 4 mm ² / 24 ... 12 AWG | | |
| | | | | Strip length | 11 mm / 0.43 inci | | |
| | | | | Wiring direction | Side-entry wiring | | |

Physical data

| | |
|--------|----------------------|
| Width | 18,8 mm / 0.74 inci |
| Height | 8,4 mm / 0.331 inci |
| Depth | 18,8 mm / 0.732 inci |

Material data

| | |
|-----------------------------|--|
| Note (material data) | Information on material specifications can be found here |
| Color | transparent |
| Insulation material | Polycarbonate (PC) |
| Flammability class per UL94 | V2 |
| Fire load | 0.064 MJ |
| Actuator color | orange |
| Weight | 2.5 g |

Environmental requirements

| | |
|----------------------------------|--------|
| Ambient temperature (operation) | +85 °C |
| Continuous operating temperature | 105 °C |
| Temperature marking per EN 60998 | T85 |

Commercial data

| | |
|-----------------------|---------------------|
| Product Group | 7 (Push Wire Conn.) |
| eCl@ss 10.0 | 27-14-11-04 |
| eCl@ss 9.0 | 27-14-11-04 |
| ETIM 8.0 | EC000446 |
| ETIM 7.0 | EC000446 |
| PU (SPU) | 500 (50) Buc. |
| Packaging type | Box |
| Country of origin | DE |
| GTIN | 4050821808442 |
| Customs tariff number | 85369010000 |

Environmental Product Compliance

| | |
|------------------------|-------------------------|
| RoHS Compliance Status | Compliant, No Exemption |
|------------------------|-------------------------|

Approvals / Certificates

General approvals



| Approval | Standard | Certificate Name |
|---|--------------------|------------------|
| CCA DEKRA Certification B.V. | EN 60998 | NTR NL-7990 |
| cULus_Listed_667F Underwriters Laboratories Inc. | UL 486C | UL-CA-L69654 |
| ENEC 05 DEKRA Certification B.V. | EN 60669, EN 60998 | 71-127529 |
| UL_Listed_64KA UL International Germany GmbH | UL 467 | E201573 |

Declarations of conformity and manufacturer's declarations

| Approval | Standard | Certificate Name |
|--|----------|------------------|
| EU-Declaration of Conformity WAGO GmbH & Co. KG | - | - |
| UK-Declaration of Conformity WAGO GmbH & Co. KG | - | - |

Approvals for marine applications



| Approval | Standard | Certificate Name |
|--|----------|------------------|
| ABS American Bureau of Shipping | - | 18-HG1755093-PDA |
| DNV GL Det Norske Veritas, Germanischer Lloyd | EN 60998 | TAE000015T |
| LR Lloyds Register | EN 60998 | LR22207029TA |

Downloads

Documentation

| Bid Text | | | |
|----------------------------|------------|------------------|-------------------|
| 221-413 | 19.02.2019 | xml 3.43 KB | ↓ |
| 221-413 | 23.01.2019 | docx 15.29 KB | ↓ |
| ausschreiben.de 221-413 | | | ↓ |

CAD/CAE-Data

| CAD data | | CAE data | |
|----------------------|-------------------|------------------------------|-------------------|
| 2D/3D Models 221-413 | ↓ | EPLAN Data Portal 221-413 | ↓ |
| | | ZUKEN Portal 221-413 | ↓ |

1 Compatible Products

1.1 Optional Accessories

1.1.1 General accessories

1.1.1.1 Empty housings



Item No.: 207-4301

Cutie de conexiuni; Derivație; pentru cabluri multimedez; Seria 221; conectori de max. 4 mm²; fără conectori pentru cutia de joncțiune; alb

1.1.1.2 Moisture protection



Item No.: 207-1331

Gelbox; Derivație; pentru cabluri; cu gel; Seriile 221, 2x73; conectori de max. 4 mm²; fără conectori pentru cutia de joncțiune; Mărimea 1; gri



Item No.: 207-1333

Gelbox; Derivație; pentru cabluri; cu gel; Seriile 221, 2x73; conectori de max. 4 mm²; fără conectori pentru cutia de joncțiune; Mărimea 3; gri

1.1.2 Jumper

1.1.2.1 Jumper



Item No.: 221-941/000-006

Șunt; pentru intrare conductor; 2 căi; izolat; albastru

Item No.: 221-942/000-006

Șunt; pentru intrare conductor; 2 căi; izolat; albastru

Item No.: 221-941

Șunt; pentru intrare conductor; 2 căi; izolat; gri închis

Item No.: 221-942

Șunt; pentru intrare conductor; 2 căi; izolat; gri închis

1.1.3 Mounting adapter

1.1.3.1 Mounting accessories



Item No.: 221-513

Suport de montaj; pentru reglete cu 3 conductori; Seria 221 - 4 mm²; cu picior de montare pentru montare orizontală; alb

Item No.: 221-513/000-004

Suport de montaj; pentru reglete cu 3 conductori; Seria 221 - 4 mm²; cu picior de montare pentru montare orizontală; negru

Item No.: 221-523

Suport de montaj; pentru reglete cu 3 conductori; Seria 221 - 4 mm²; cu picior de montare pentru montare verticală; alb

Item No.: 221-523/000-004

Suport de montaj; pentru reglete cu 3 conductori; Seria 221 - 4 mm²; cu picior de montare pentru montare verticală; negru



Item No.: 221-503

Suport de montaj; pentru reglete cu 3 conductori; Seria 221 - 4 mm²; pentru montare cu șurub; alb

Item No.: 221-503/000-004

Suport de montaj; pentru reglete cu 3 conductori; Seria 221 - 4 mm²; pentru montare cu șurub; negru

Item No.: 221-500/000-006

Suport de montaj; Seria 221 - 4 mm²; pt mont. pe șină DIN 35/montare cu șurub; albastru

Item No.: 221-500/000-053

Suport de montaj; Seria 221 - 4 mm²; pt mont. pe șină DIN 35/montare cu șurub; gri-galben închis

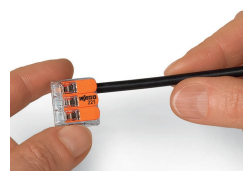
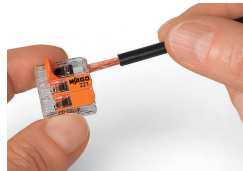
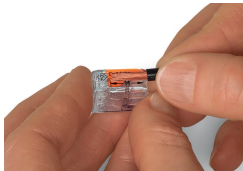


Item No.: 221-500

Suport de montaj; Seria 221 - 4 mm²; pt mont. pe șină DIN 35/montare cu șurub; portocaliu

Installation Notes

Conductor termination



Strip conductor to 11 mm (0.43 inch).

Pull up an orange lever to open the clamping unit.

Then insert the conductor and push the lever back down, flush with the connector housing.

Compact, lever-operated splicing connectors:

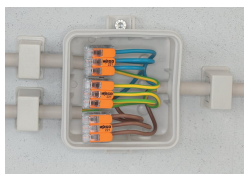
Tool-free connection of fine-stranded conductors from 0.14 ... 4 mm², as well as solid or stranded conductors from 0.2 ... 4 mm² (24 ... 12 AWG).

Safety:

The lever's specially designed rest position reliably prevents accidental unclamping of a connected conductor.

Application safety, for any type of conductor (solid, stranded, fine-stranded), is confirmed by approvals like ENEC or UL.

Application



Wiring fine-stranded conductors in junction boxes.



Custom low-voltage lighting system



Lighting distribution in a ceiling canopy



Pendant light connection in a suspended ceiling