

Data Sheet | Item Number: 221-613

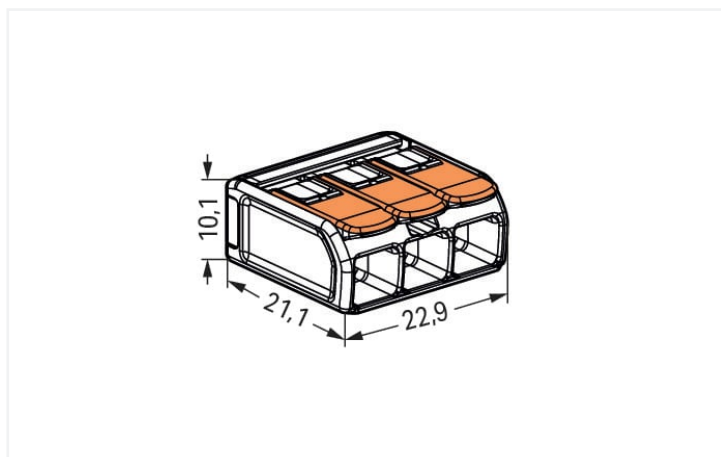
Conector COMPACT; pentru toate tipurile de conductori; max. 6 mm²; 3 conductori;
cu levieri; carcasă transparentă; Temperatură aer ambiant: max 85°C (T85); 6,00
mm²; transparent



<https://www.wago.com/221-613>



Color: transparent



Dimensions in mm

Your benefits:

- Ease of use – pull the lever up, insert a conductor and push the lever back down
- Available as 2-, 3- and 5-wire connectors
- Easily terminate conductors from 0.5 to 6 mm²
- Connection of all conductor types
- Time savings for installers and device manufacturers
- Quickly install devices with higher power consumption
- Safely install long cable runs with larger conductor cross sections
- Mounting carrier for installation conforms to standards
- Custom carriers are possible

Notes

| | |
|--------------------|-------------------------|
| Safety information | in grounded power lines |
|--------------------|-------------------------|

Electrical data

| Ratings per EN 60664 | | | | Approvals per UL 486C | | | |
|----------------------|-----|-----|-------|-----------------------|---|-------|---|
| Overvoltage category | III | III | II | Use group | B | C | D |
| Pollution degree | 3 | 2 | 2 | Rated voltage | - | 600 V | - |
| Nominal voltage | - | - | 450 V | Rated current | - | 30 A | - |
| Rated surge voltage | - | - | 4 kV | | | | |
| Rated current | - | - | 41 A | | | | |

Connection data

| | | | |
|----------------------------|---|---------------------------------|---|
| Connection points | 3 | Connection 1 | |
| Total number of potentials | 1 | Connection technology | CAGE CLAMP® |
| | | Actuation type | Lever |
| | | Connectable conductor materials | Copper |
| | | Nominal cross-section | 6 mm ² / 10 AWG |
| | | Solid conductor | 0,5 ... 6 mm ² / 20 ... 10 AWG |
| | | Stranded conductor | 0,5 ... 6 mm ² / 20 ... 10 AWG |
| | | Fine-stranded conductor | 0,5 ... 6 mm ² / 20 ... 10 AWG |
| | | Strip length | 12 ... 14 mm / 0.47 ... 0.55 inci |
| | | Wiring direction | Side-entry wiring |

Physical data

| | |
|--------|----------------------|
| Width | 22,9 mm / 0.902 inci |
| Height | 10,1 mm / 0.398 inci |
| Depth | 21,1 mm / 0.831 inci |

Material data

| | |
|-----------------------------|--|
| Note (material data) | Information on material specifications can be found here |
| Color | transparent |
| Cover color | transparent |
| Insulation material | Polycarbonate (PC) |
| Flammability class per UL94 | V2 |
| Fire load | 0.073 MJ |
| Actuator color | orange |
| Weight | 4 g |

Environmental requirements

| | |
|----------------------------------|--------|
| Ambient temperature (operation) | +85 °C |
| Continuous operating temperature | 105 °C |
| Temperature marking per EN 60998 | T85 |

Commercial data

| | |
|-----------------------|---------------|
| eCl@ss 10.0 | 27-14-11-04 |
| eCl@ss 9.0 | 27-14-11-04 |
| ETIM 8.0 | EC000446 |
| ETIM 7.0 | EC000446 |
| PU (SPU) | 300 (30) Buc. |
| Packaging type | Box |
| Country of origin | CH |
| GTIN | 4055143715416 |
| Customs tariff number | 85369010000 |

Environmental Product Compliance

| | |
|------------------------|-------------------------|
| RoHS Compliance Status | Compliant, No Exemption |
|------------------------|-------------------------|

Approvals / Certificates

General approvals



| Approval | Standard | Certificate Name |
|---|-----------|------------------|
| CB DEKRA Certification B.V. | IEC 60998 | NL-81003 |
| cULus_Listed_667F Underwriters Laboratories Inc. | UL 486C | UL-CA-L69654 |
| ENEC 05 DEKRA Certification B.V. | EN 60998 | 71-123784 |
| UL_Listed_64KA UL International Germany GmbH | UL 467 | E201573 |

Declarations of conformity and manufacturer's declarations

| Approval | Standard | Certificate Name |
|--|----------|------------------|
| EU-Declaration of Conformity WAGO GmbH & Co. KG | - | - |
| UK-Declaration of Conformity WAGO GmbH & Co. KG | - | - |

Approvals for marine applications



| Approval | Standard | Certificate Name |
|--|----------|------------------|
| ABS American Bureau of Shipping | EN 60998 | 18-HG1755093-PDA |
| DNV GL Det Norske Veritas, Germanischer Lloyd | EN 60998 | TAE000015T |
| LR Lloyds Register | EN 60998 | LR22207029TA |

Downloads

Documentation

| Bid Text | | | |
|----------------------------|------------|------------------|-------------------|
| 221-613 | 19.02.2019 | xml 3.48 KB | ↓ |
| 221-613 | 23.01.2019 | docx 15.05 KB | ↓ |
| ausschreiben.de 221-613 | | | ↓ |

| CAD/CAE-Data | |
|--|---|
| CAD data | CAE data |
| 2D/3D Models 221-613 ↓ | EPLAN Data Portal 221-613 ↓ |
| | ZUKEN Portal 221-613 ↓ |

1 Compatible Products

1.1 Optional Accessories

1.1.1 General accessories

1.1.1.1 Moisture protection



Item No.: 207-1431

Gelbox; Derivație; pentru cabluri; cu gel; Seria 221; conectori de max. 6 mm²; fără conectori pentru cutia de joncțiune; Mărima 1; gri

Item No.: 207-1433

Gelbox; Derivație; pentru cabluri; cu gel; Seria 221; conectori de max. 6 mm²; fără conectori pentru cutia de joncțiune; Mărima 3; gri

1.1.2 Jumper

1.1.2.1 Jumper



Item No.: 221-941/000-006

Șunt; pentru intrare conductor; 2 căi; izolat; albastru

Item No.: 221-942/000-006

Șunt; pentru intrare conductor; 2 căi; izolat; albastru

Item No.: 221-941

Șunt; pentru intrare conductor; 2 căi; izolat; gri închis

Item No.: 221-942

Șunt; pentru intrare conductor; 2 căi; izolat; gri închis

1.1.3 Mounting adapter

1.1.3.1 Mounting accessories



Item No.: 221-510/000-006

Suport de montaj; Seria 221 - 6 mm²; pt mont. pe șină DIN 35/montare cu șurub; albastru

Item No.: 221-510/000-053

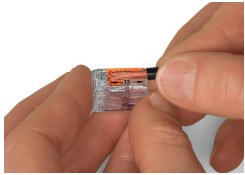
Suport de montaj; Seria 221 - 6 mm²; pt mont. pe șină DIN 35/montare cu șurub; gri-galben închis

Item No.: 221-510

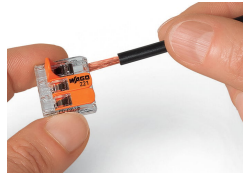
Suport de montaj; Seria 221 - 6 mm²; pt mont. pe șină DIN 35/montare cu șurub; portocaliu

Installation Notes

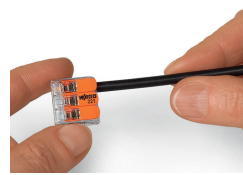
Conductor termination



Strip conductor to 12 ... 14 mm.

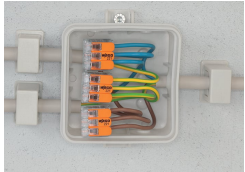


Termination: Lift the lever to open the clamping unit and insert a stripped conductor.



Then, lower the lever to close the clamp.

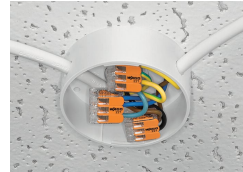
Application



Wiring fine-stranded conductors in junction boxes.



Custom low-voltage lighting system



Lighting distribution in a ceiling canopy



Pendant light connection in a suspended ceiling



COMPACT Splicing Connectors for All Conductor Types (6 mm²), 221 Series