

PRODUCT DATA SHEET IEC60309

Part Number	230
EAN	4015609000265
Manufacturer	Walther-Werke
WEEE-Reg-Nr:	DE 22131895



30A 5P 380-415V 6H IP44 Plug

- High impact thermoplastic housing featuring high resistance. And toughness creating an abrasion-resistant material.
- Retaining device.
- Zinc electroplated steel screws.
- Shrouded pins
- Color coded by voltage.
- Double terminal screws on all amperage devices.
- Ground first to mate – last to break for added safety.
- Walther can produce and supply the mating cable assemblies.

Ordering/Logistics Information

Order Unit	Piece
Customs Number	
Net Weight	0.70 lbs. or 0.30 kg
Packing Quantity (VPE)	10
Packaging Length	12.21 in or 0.31 m
Packaging Width	7.68 in or 0.195 m
Packaging Depth	5.51 in or 0.14 m
Gross Weight (VPE)	6.97 lbs. or 3.16 kg

Conformities

CE Conformity	√
RoHS directive	2011/65/EU
RoHS directive	2015/863/EU
REACH regulation	1907/2006

Certification

VDE certification

40021520

UL certification

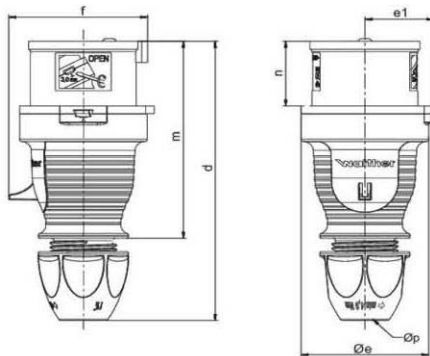
NO. E329476



And multiple international certifications

Technical Product Data

IEC-amperage	32 A
Amperage according to UL/CSA (for UL-version)	30 A
Number of poles and wires	3P + N + G
Voltage according to EN 60309-2	380-415 V (50+60Hz) red
Clock hour position	6 h
Identification color	Red
Conductor cross-section	14– 10 AWG or 2.5 - 6 mm ²
Cable diameter	0.39 – 0.89 in or 10 – 22.5 mm
Cable strip length	1.77 in +/- 0.1 in or 45 mm +/- 2.5 mm
Cable ferrules length	0.40 in +/- 0.04 in or 10 mm +/- 1 mm
Maximum torque terminal screw	0.8 Nm
Maximum torque cable gland	4 Nm
Degree of protection (IP)	IP44
Connection system	Screwed terminal
Contact material	Brass standard
Cable entry	Swivel
Angle of plug	Straight
Material	Plastic
Inflammability class of insulation material according to with UL94	V2



Amp.	16	16	32	32	32
Pole	4	5	3	4	5
d	150-161	150-161	173-185	173-185	174-183
Øe	65	65	72	72	72
e1	35	35	38,5	38,5	38,5
f	63	71	75	75	83
m	111	111	128	128	128
n	37	37	45,5	45,5	45,5
Øp	7,5 - 18,5	7,5-18,5	10 - 22,5	10 - 22,5	10 - 22,5

All specifications are subject to change without notice. Consult a Walther Electric Engineer for the latest specifications or speak with a member of our Customer Care Team +1 (800) 925-8437.