

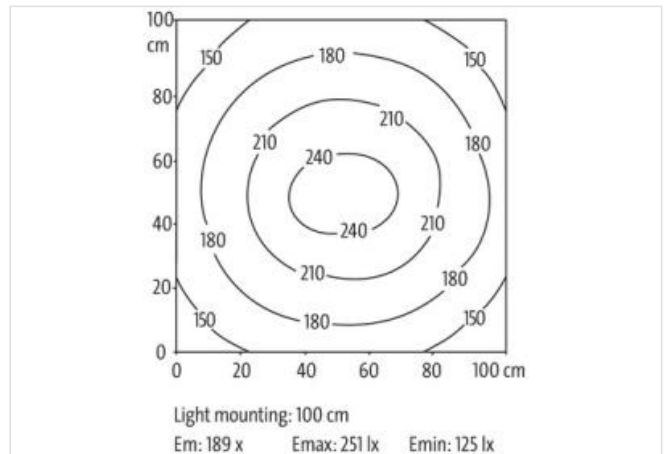
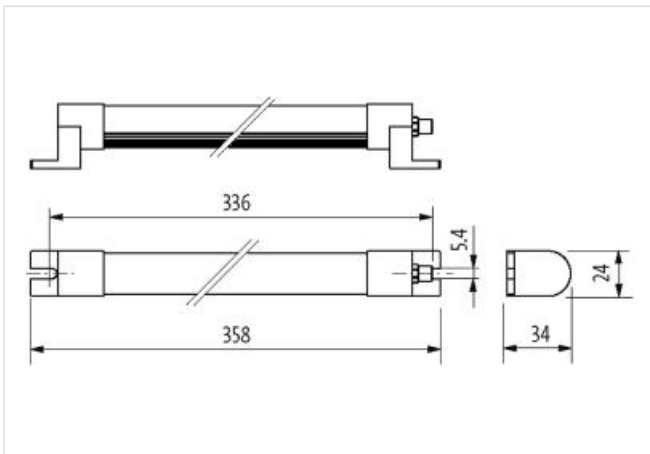
Modlight Illumix Slim Line 8W

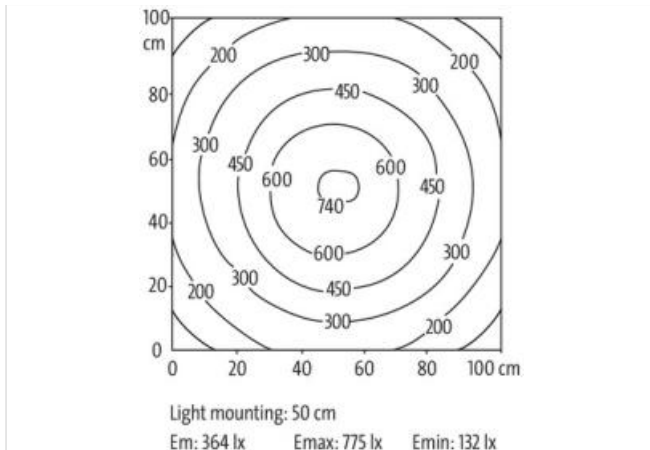
LED machine lamp, IP54, 24VDC, M8 connection

Modlight Illumix Slim Line
8 W

Link to Product

Illustration





Product may differ from Image

**Commercial data**

ECLASS-6.0	27110306
ECLASS-6.1	27110390
ECLASS-7.0	27110390
ECLASS-8.0	27110390
ECLASS-9.0	27110345
ECLASS-10.1	27110345
ECLASS-11.1	27110345
ECLASS-12.0	27110345
ETIM-5.0	EC000348
customs tariff number	94054231
GTIN	4048879670746
Packaging unit	1

Electrical data | Supply

Operating voltage DC	24 V
Operating voltage DC min.	21,6 V
Operating voltage DC max.	27,6 V
Power consumption max.	8 W

HMI | Illumination properties

Radiation angle min.	120 °
Luminous temperature	5500 K
Color reproduction (Ra) min.	80
Luminous efficacy	145 lm/W
Light color	daylight white
Luminous flux	1160 lm

Installation | Connection

Family construction form	M8
Gender	male

Installation | Pin assignment

Coding	A
No. of poles	4

Device protection | Electrical

The information in this Product-PDF has been compiled with the utmost care.

Liability for the correctness completeness and topicality of the information is restricted to gross negligence. Version: 2024-04-02

Murrelektronik GmbH | Office Park 4, 4.OG/Top A.45 | 1300 Wien-Flughafen | Fon +43 1 706 45 25-0 | Fax +43 1 706 45 25-300 | shop@murrelektronik.at | shop.murrelektronik.at

Installation height max. ASL	2000 m
------------------------------	--------

Degree of protection (EN IEC 60529)	IP54
-------------------------------------	------

Device protection | Mechanical

Shock resistance (EN IEC 60068-2-27)	50 g, 11 ms
--------------------------------------	-------------

Vibration resistance (EN IEC 60068-2-6)	10 mm (2 ... 9 Hz), 3 g (9 ... 200 Hz)
---	--

Mechanical data | Material data

Coating housing	eloxiert
-----------------	----------

Material housing	Aluminium
------------------	-----------

Material light cover	Diffuse polystyrene (PS)
----------------------	--------------------------

Mechanical data | Mounting data

Height	34 mm
--------	-------

Width	358 mm
-------	--------

Depth	24 mm
-------	-------

Screw head diameter max.	12 mm
--------------------------	-------

Screw head thread max.	M5
------------------------	----

Environmental characteristics | Climatic

Operating temperature min.	-30 °C
----------------------------	--------

Operating temperature max.	50 °C
----------------------------	-------

Relative humidity min. (operation)	5 %
------------------------------------	-----

Relative humidity max. (operation)	95 %
------------------------------------	------

Connection type 1

Family construction form	M8
--------------------------	----

Gender	male
--------	------

Coding	A
--------	---

No. of poles	4
--------------	---

PIN 1	n.c.
-------	------

PIN 2	n.c.
-------	------

PIN 3	0 V DC
-------	--------

PIN 4	24 V DC
-------	---------