

**MVK Pro MPNIO DIO8 IOL8 M12L 5P**

PROFINET, compact module, metal

Digital inputs/outputs

Ethernet 10/100 Mbit/s; M12, D-coded

IO-Link Master V1.1

M12 Power, 5-pole, L-coded

M12, 5-pole, A-coded

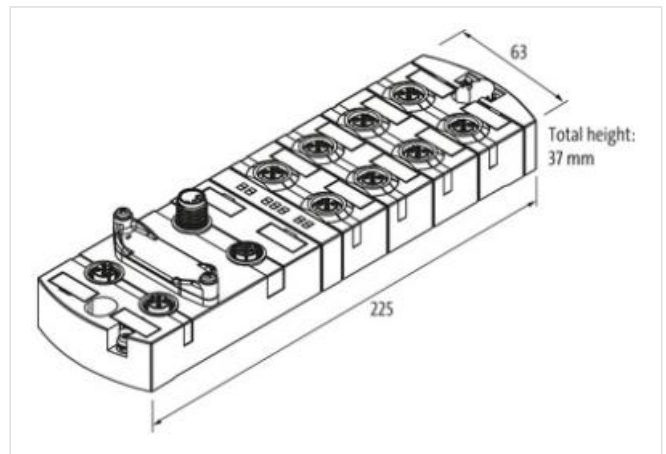
Housing fully potted.

Connection cables are in the online shop under "Connection Technology".

mounting compatible with I/O modules of the MVK series

**Link to Product****Illustration**

Product may differ from Image

**Commercial data**

ECLASS-6.0	27242604
ECLASS-6.1	27242604
ECLASS-7.0	27242604
ECLASS-8.0	27242604
ECLASS-9.0	27242604
ECLASS-10.1	27242604
ECLASS-11.1	27242604
ECLASS-12.0	27242604
ETIM-5.0	EC001599
customs tariff number	85389099
GTIN	4048879859851
Packaging unit	1

**Electrical data | Supply**

Norm operating voltage	EN 61131-2
Operating voltage US DC	24 V
Operating voltage UA DC	24 V
Total current UA max.	16 A

The information in this Product-PDF has been compiled with the utmost care.

Liability for the correctness completeness and topicality of the information is restricted to gross negligence. Version: 2024-02-19

Murrelektronik GmbH | Office Park 4, 4.OG/Top A.45 | 1300 Wien-Flughafen | Fon +43 1 706 45 25-0 | Fax +43 1 706 45 25-300 | shop@murrelektronik.at | shop.murrelektronik.at

Total current US max. 16 A

#### Electrical data | Input

Overload resistant	yes
Short-circuit protected	yes
Type input	PNP, for 3-wire sensors or mechanical switches, IO-Link Devices
Sensor current US per input max.	2 A
Current carrying capacity max.	10 A

#### Electrical data | Output

Actuator current UA per output max.	2 A
Overload resistant	yes
Short-circuit protected	yes
Output current per pin max.	2 A
Max. current output per port	4 A
Total current output max.	10 A

#### Industrial communication

Supported protocol	PROFINET
Web interface	yes

#### Industrial communication | Profinet

Number of active connections (IO controller) max.	2
IRT (network communication)	yes
PROFINET Netload Class	III
PROFINET addressing	DCP
PROFINET conformance class	C
PROFINET specification	V2.3
Shared device/input	yes

#### Industrial communication | IO-Link

Automatic baudrate detection	yes
IO-Link process data length output	32 Bytes
IO-Link process data length input	32 Bytes
IO-Link revision ID	V1.1
IO-Link type	8x Master
IO-Link transmission rate	COM1, COM2, COM3
Port Class	A, B

#### Industrial communication | IIoT functions

Number of sessions / clients OPC UA max.	5
JSON integration	REST-API, MQTT
OPC UA transport	UA TCP, UA Secure Conversation, UA Binary Encoding
Voltage monitoring	yes
Current Monitoring	yes
Publishing interval OPC UA min.	100 ms

#### Diagnostics

Actuator warning	per channel via LED and BUS
Diagnostic via BUS	per module and channel
Diagnostic via LED	per module and channel
IO-Link events	No voltage, Undervoltage supply
Short circuit diagnosis	yes
LED display	Ethernet connection/data traffic
Cable break	per port
Temperature control	yes
Overload diagnosis	yes

**Device protection | Electrical**

Degree of protection (EN IEC 60529) IP67

**Mechanical data | Mounting data**

Suitable for mounting type 2-hole screw mounting

Height 42 mm

Width 63 mm

Depth 225 mm

**Environmental characteristics | Climatic**

Operating temperature min. -25 °C

Operating temperature max. 70 °C

Storage temperature min. -40 °C

Storage temperature max. 80 °C

**Connection type 4**

Connection type 1 X0-X7

Connection type 2 XD1

Connection type 3 XD2

Connection type 4 XF1, XF2

Family construction form M12

Gender female

Color contact carrier gray

Coding A

No. of poles 5

PIN 1 24 V DC

PIN 2 DI / DO

PIN 3 0 V

PIN 4 DI / DO / IO-Link

PIN 5 0 V

Family construction form M12

Gender male

Color contact carrier black

Coding L

No. of poles 5

PIN 1 24 V DC (US)

PIN 2 0 V

PIN 3 0 V

PIN 4 24 V DC (UA)

PIN 5 PE

Family construction form M12

Gender female

Color contact carrier black

Coding L

No. of poles 5

PIN 1 24 V DC (US)

PIN 2 0 V

PIN 3 0 V

PIN 4 24 V DC (UA)

PIN 5 PE

Family construction form M12

Gender female

Color contact carrier green

Coding D

No. of poles 4

PIN 1 TD +

---

PIN 2	RD +
PIN 3	TD -
PIN 4	RD -

---