

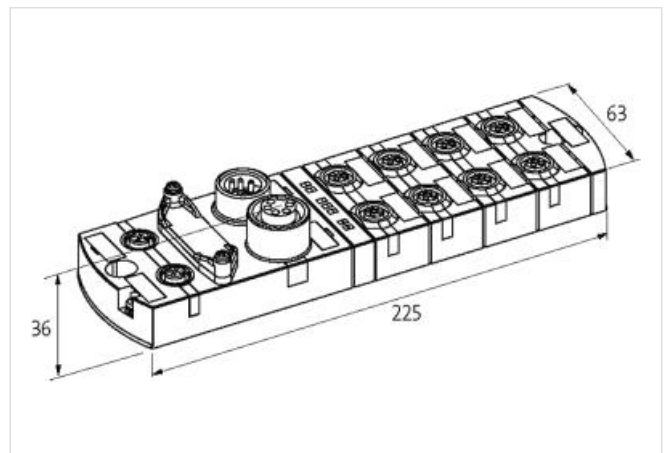
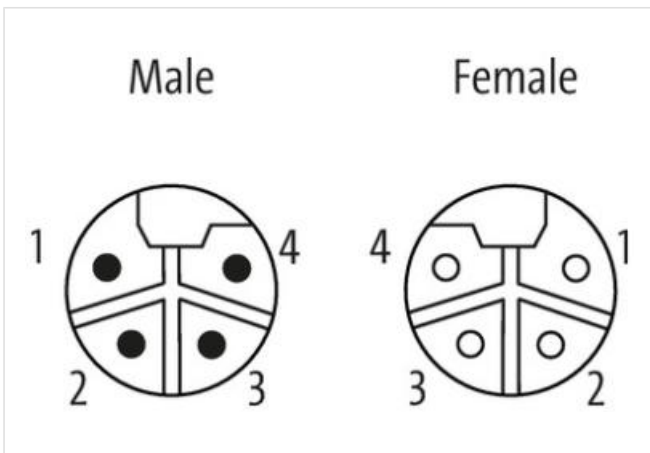
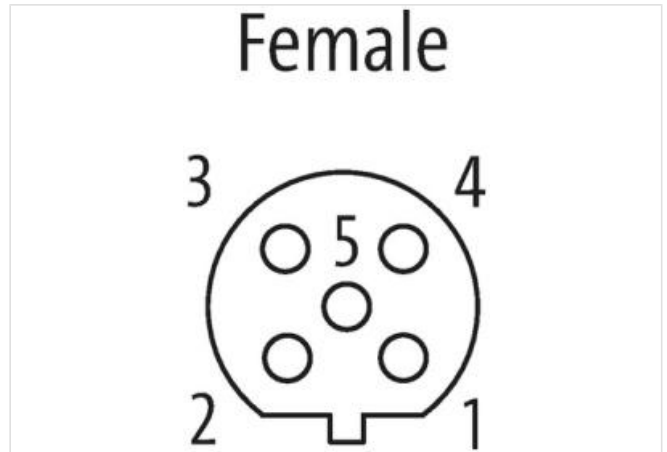
Xelity Managed Switch 10x 10/100BT IP67 M12L 4P

10 Port FE without PN
 M12 Power, 4-pole, L-coded
 Supply PIN 1/3

Connection cables are in the online shop under "Connection Technology".

[Link to Product](#)

Illustration



Product may differ from Image



Commercial data

ECLASS-6.1	19170106
ECLASS-7.0	19170106
ECLASS-8.0	19170106
ECLASS-9.0	19170401
ECLASS-10.1	19170401
ECLASS-11.1	19170401
ECLASS-12.0	19170401
customs tariff number	85176200

The information in this Product-PDF has been compiled with the utmost care. Liability for the correctness completeness and topicality of the information is restricted to gross negligence. Version: 2023-10-06

GTIN	4048879866255
------	---------------

Packaging unit	1
----------------	---

Electrical data | Supply

Operating voltage DC	24 V
----------------------	------

Operating voltage DC min.	9 V
---------------------------	-----

Operating voltage DC max.	30 V
---------------------------	------

Industrial communication

Data transmission rate max.	100 MBit/s
-----------------------------	------------

Industrial communication | Ethernet functionality

Auto-crossover	yes
----------------	-----

Auto-negotiation	yes
------------------	-----

duplex	Full duplex
--------	-------------

LLDP frames	forwarding
-------------	------------

Ring topology	RSTP, STP
---------------	-----------

Switch type	managed
-------------	---------

Industrial communication | IIoT functions

Websserver	HTTP, HTTPS
------------	-------------

Switch Management

Addressing	BOOTP/DHCP client, DCP, SSH-Befehlszeile
------------	--

NAT	1:1
-----	-----

RSTP (IEEE 802.1D-2004, IEC 62439-1)	Default on
--------------------------------------	------------

Simple Network Management Protocol (SNMP)	v1, v2c, v3 (default active)
---	------------------------------

VLAN managed (IEEE 802.1Q)	yes
----------------------------	-----

VLANs max. (IEEE 802.1Q)	64
--------------------------	----

Time synchronization	NTP client
----------------------	------------

Diagnostics

Alarm contact	no
---------------	----

Diagnostic	No voltage
------------	------------

Remote maintenance	Open VPN client
--------------------	-----------------

LED display	Ethernet connection/data traffic
-------------	----------------------------------

Port mirroring	1:1
----------------	-----

RMON	yes
------	-----

SNMP traps	yes
------------	-----

Syslog	yes
--------	-----

Device protection | Electrical

Degree of protection (EN IEC 60529)	IP67
-------------------------------------	------

Mechanical data | Material data

Material housing	Metal
------------------	-------

Mechanical data | Mounting data

Suitable for mounting type	2-hole screw mounting
----------------------------	-----------------------

Height	224,5 mm
--------	----------

Width	63 mm
-------	-------

Depth	37,4 mm
-------	---------

Environmental characteristics | Climatic

Operating temperature min.	-25 °C
----------------------------	--------

Operating temperature max.	70 °C
----------------------------	-------

Derating from	70 °C
---------------	-------

Storage temperature min.	-40 °C
--------------------------	--------

Storage temperature max.	85 °C
--------------------------	-------

Connection type 3

Connection type 1	XD1
Connection type 2	XD2
Connection type 3	XF1-XF10
Family construction form	M12
Gender	male
Color contact carrier	black
Coding	L
No. of poles	5
Family construction form	M12
Gender	female
Color contact carrier	black
Coding	L
No. of poles	4
Family construction form	M12
Gender	female
Color contact carrier	green
Coding	D
No. of poles	4