

**Xelity PROFINET Managed Switch 10x 10/100/1000BT IP67 M12L 4P**

10 Port GE without PN

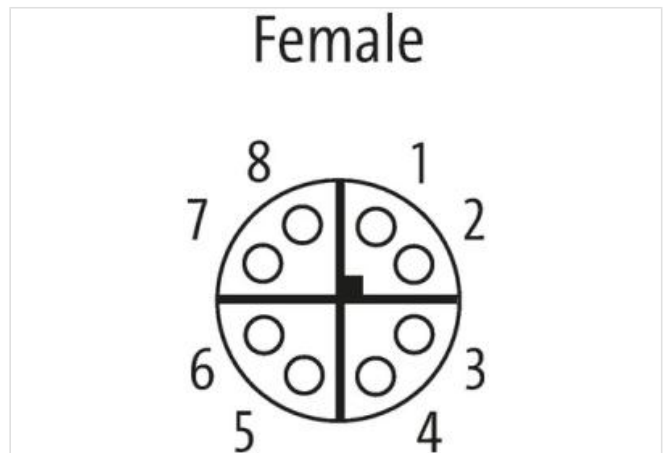
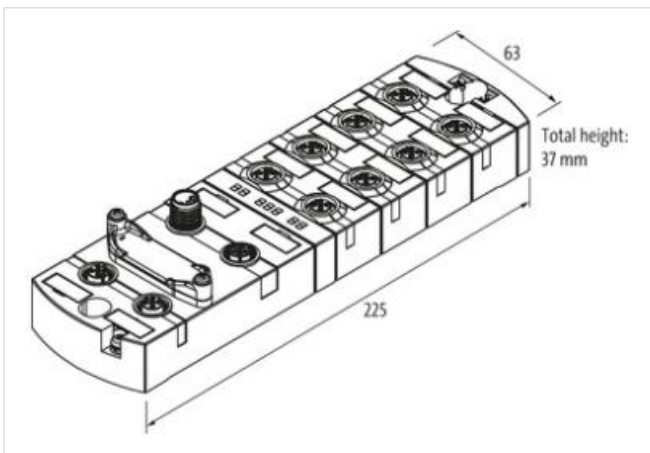
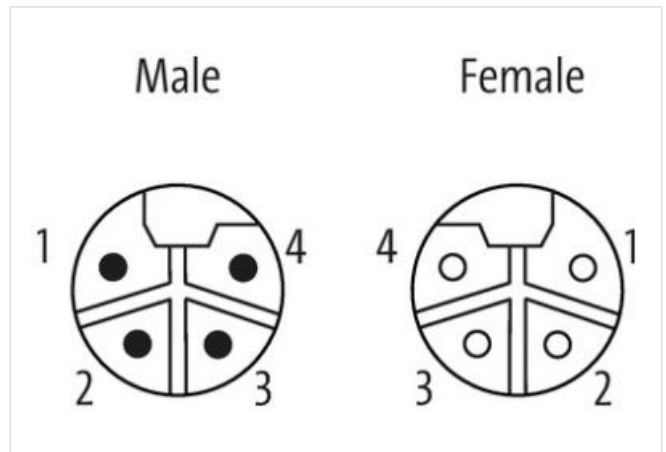
M12 Power, 4-pole, L-coded

Supply PIN 1/3

Connection cables are in the online shop under "Connection Technology".

[Link to Product](#)

**Illustration**



Product may differ from Image



**Commercial data**

ECLASS-6.1	19170106
ECLASS-7.0	19170106
ECLASS-8.0	19170106
ECLASS-9.0	19170401
ECLASS-10.1	19170401
ECLASS-11.1	19170401
ECLASS-12.0	19170401
customs tariff number	85176200

The information in this Product-PDF has been compiled with the utmost care. Liability for the correctness completeness and topicality of the information is restricted to gross negligence. Version: 2023-10-06

GTIN	4048879866293
Packaging unit	1
<b>Electrical data   Supply</b>	
Operating voltage DC	24 V
Operating voltage DC min.	9 V
Operating voltage DC max.	30 V
<b>Industrial communication</b>	
Data transmission rate max.	1000 MBit/s
<b>Industrial communication   Ethernet functionality</b>	
Auto-crossover	yes
Auto-negotiation	yes
duplex	Full duplex
LLDP frames	forwarding
Ring topology	RSTP, STP
Switch type	managed
<b>Industrial communication   IIoT functions</b>	
Websserver	HTTP, HTTPS
<b>Switch Management</b>	
Addressing	BOOTP/DHCP client, DCP, SSH-Befehlszeile
NAT	1:1
RSTP (IEEE 802.1D-2004, IEC 62439-1)	Default on
Simple Network Management Protocol (SNMP)	v1, v2c, v3 (default active)
VLAN managed (IEEE 802.1Q)	yes
VLANs max. (IEEE 802.1Q)	64
Time synchronization	NTP client
<b>Diagnostics</b>	
Alarm contact	no
Diagnostic	No voltage
Remote maintenance	Open VPN client
LED display	Ethernet connection/data traffic
Port mirroring	1:1
RMON	yes
SNMP traps	yes
Syslog	yes
<b>Device protection   Electrical</b>	
Degree of protection (EN IEC 60529)	IP67
<b>Mechanical data   Material data</b>	
Material housing	Metal
<b>Mechanical data   Mounting data</b>	
Suitable for mounting type	2-hole screw mounting
Height	224,5 mm
Width	63 mm
Depth	37,4 mm
<b>Environmental characteristics   Climatic</b>	
Operating temperature min.	-25 °C
Operating temperature max.	45 °C
Transport temperature min.	-40 °C
Transport temperature max.	85 °C
<b>Connection type 3</b>	
Connection type 1	XD1

Connection type 2	XD2
Connection type 3	XF1-XF10
Family construction form	M12
Gender	male
Color contact carrier	black
Coding	L
No. of poles	5
Family construction form	M12
Gender	female
Color contact carrier	black
Coding	L
No. of poles	4
Family construction form	M12
Gender	female
Color contact carrier	green
Coding	X
No. of poles	8