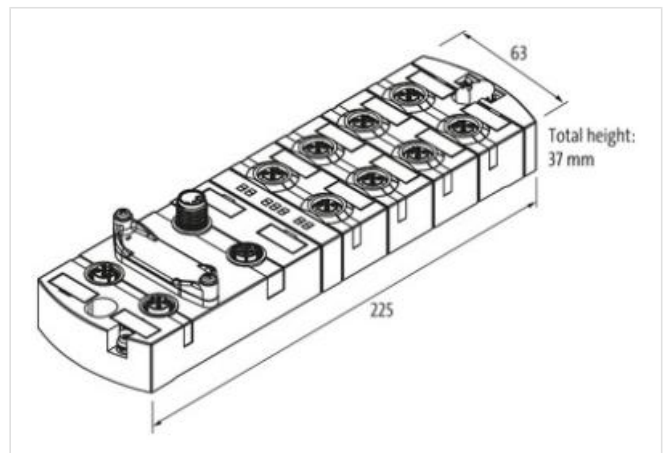
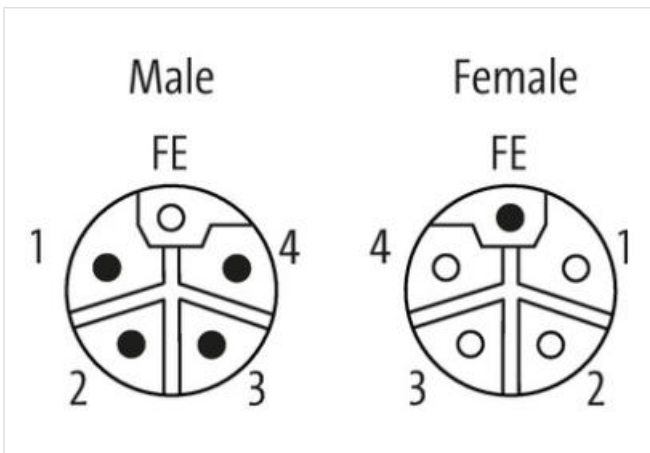
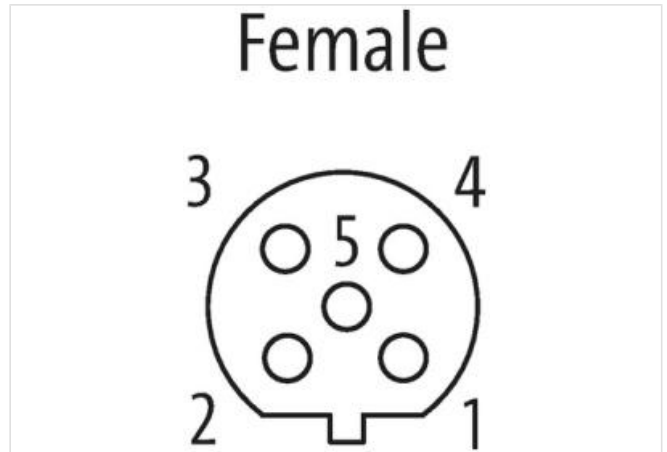


**Xelity PROFINET Managed Switch 10x 10/100BT IP67 M12L 5P**

10 Port Managed IP67 Fast Ethernet PROFINET Switch Metal  
 PROFINET - Managed Switch  
 M12 Power, 5-pole, L-coded  
 Connection cables are in the online shop under "Connection Technology".

[Link to Product](#)

**Illustration**



Product may differ from Image



**Commercial data**

ECLASS-6.1	19170106
ECLASS-7.0	19170106
ECLASS-8.0	19170106
ECLASS-9.0	19170401
ECLASS-10.1	19170401
ECLASS-11.1	19170401
ECLASS-12.0	19170401
customs tariff number	85176200

The information in this Product-PDF has been compiled with the utmost care. Liability for the correctness completeness and topicality of the information is restricted to gross negligence. Version: 2023-10-06

GTIN	4048879862554
Packaging unit	1
<b>Electrical data   Supply</b>	
Operating voltage DC min.	9 V
Operating voltage DC max.	36 V
<b>Industrial communication</b>	
Supported protocol	PROFINET
Data transmission rate max.	100 MBit/s
<b>Industrial communication   Ethernet functionality</b>	
Auto-crossover	yes
Auto-negotiation	yes
duplex	Full duplex
LLDP frames	forwarding
Ring topology	RSTP, MRP, STP
Switch type	managed
<b>Industrial communication   Profinet</b>	
FSU (Fast-Start-Up)	no
MRP client	yes
PROFINET Netload Class	III
PROFINET addressing	DCP
PROFINET conformance class	B
PROFINET specification	V2.4
Shared device/input	no
<b>Industrial communication   IIoT functions</b>	
Websserver	HTTP, HTTPS
<b>Switch Management</b>	
Addressing	BOOTP/DHCP client, DCP, SSH-Befehlszeile
NAT	1:1
RSTP (IEEE 802.1D-2004, IEC 62439-1)	Default on
Simple Network Management Protocol (SNMP)	v1 + v2c + v3 (default active)
VLAN managed (IEEE 802.1Q)	yes
VLANs max. (IEEE 802.1Q)	64
Time synchronization	NTP client
<b>Diagnostics</b>	
Alarm contact	no
Diagnostic	No voltage
Remote maintenance	Open VPN client
LED display	Ethernet connection/data traffic
Port mirroring	1:1
RMON	yes
SNMP traps	yes
Syslog	yes
<b>Device protection   Electrical</b>	
Degree of protection (EN IEC 60529)	IP67
<b>Mechanical data   Material data</b>	
Material housing	Metal
<b>Mechanical data   Mounting data</b>	
Suitable for mounting type	2-hole screw mounting
Height	37 mm
Width	63 mm

Depth 225 mm

#### Environmental characteristics | Climatic

Operating temperature min.	-25 °C
Operating temperature max.	70 °C
Derating from	70 °C
Storage temperature min.	-40 °C
Storage temperature max.	85 °C

#### Connection type 3

Connection type 1	XD1
Connection type 2	XD2
Connection type 3	XF2, XF7-XF10
Family construction form	M12
Gender	male
Color contact carrier	gray
Coding	L
No. of poles	5
Family construction form	M12
Gender	female
Color contact carrier	gray
Coding	L
No. of poles	5
Family construction form	M12
Gender	female
Color contact carrier	green
Coding	D
No. of poles	4