

Xelity Managed Switch 8x 10/100BT + 2x 10/100/1000BT IP67 M12L 5P

10 Port Managed IP67 Gigabit Switch Metal

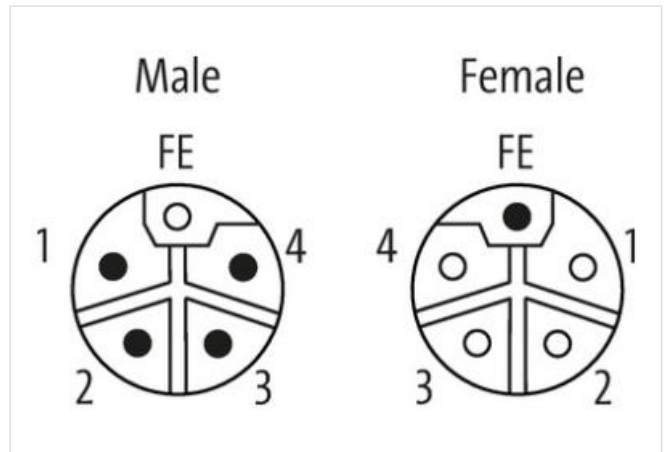
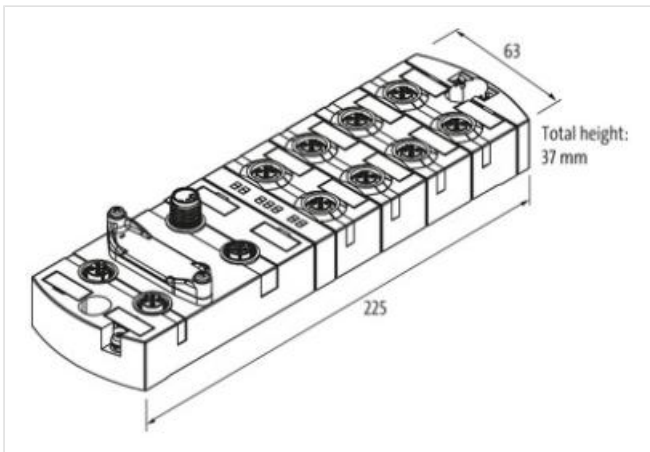
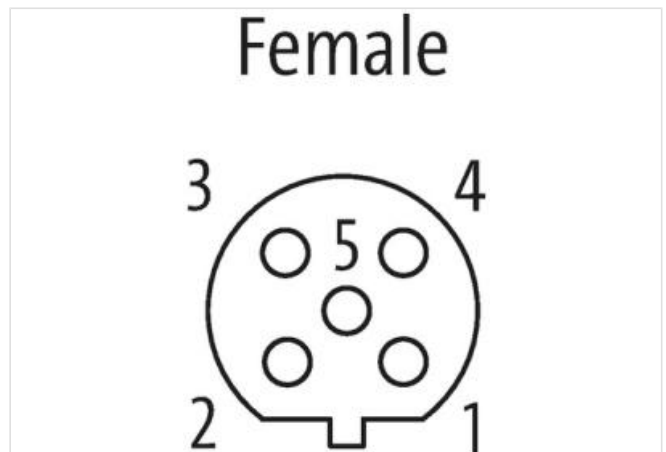
8 ports D-coded transfer rate 100 Mbit/s

M12 Power, 5-pole, L-coded

Connection cables are in the online shop under "Connection Technology".

[Link to Product](#)

Illustration



Product may differ from Image



Commercial data

ECLASS-6.1	19170106
ECLASS-7.0	19170106
ECLASS-8.0	19170106
ECLASS-9.0	19170401
ECLASS-10.1	19170401
ECLASS-11.1	19170401

ECLASS-12.0	19170401
customs tariff number	85176200
GTIN	4048879862561
Packaging unit	1

Electrical data | Supply

Operating voltage DC min.	9 V
Operating voltage DC max.	36 V

Industrial communication

Data transmission rate max.	1000 MBit/s
-----------------------------	-------------

Industrial communication | Ethernet functionality

Auto-crossover	yes
Auto-negotiation	yes
duplex	Full duplex
LLDP frames	forwarding
Ring topology	RSTP, STP
Switch type	managed

Industrial communication | IIoT functions

Webserver	HTTP, HTTPS
-----------	-------------

Switch Management

Addressing	BOOTP/DHCP client, DCP, SSH-Befehlszeile
NAT	1:1
RSTP (IEEE 802.1D-2004, IEC 62439-1)	Default on
Simple Network Management Protocol (SNMP)	v1, v2c, v3 (default active)
VLAN managed (IEEE 802.1Q)	yes
VLANs max. (IEEE 802.1Q)	64
Time synchronization	NTP client

Diagnostics

Alarm contact	no
Diagnostic	No voltage
Remote maintenance	Open VPN client
LED display	Ethernet connection/data traffic
Port mirroring	1:1
RMON	yes
SNMP traps	yes
Syslog	yes

Device protection | Electrical

Degree of protection (EN IEC 60529)	IP67
-------------------------------------	------

Mechanical data | Material data

Material housing	Metal
------------------	-------

Mechanical data | Mounting data

Suitable for mounting type	2-hole screw mounting
Height	37 mm
Width	63 mm
Depth	225 mm

Environmental characteristics | Climatic

Operating temperature min.	-25 °C
Operating temperature max.	70 °C
Derating from	70 °C
Storage temperature min.	-40 °C
Storage temperature max.	85 °C

Connection type 4	
Connection type 1	XD1
Connection type 2	XD2
Connection type 3	XF1, XF2
Connection type 4	XF3-XF10
Family construction form	M12
Gender	male
Color contact carrier	gray
Coding	L
No. of poles	5
Family construction form	M12
Gender	female
Color contact carrier	gray
Coding	L
No. of poles	5
Family construction form	M12
Gender	female
Color contact carrier	green
Coding	X
No. of poles	8
Family construction form	M12
Gender	female
Color contact carrier	green
Coding	D
No. of poles	4