

**MVP12-P6 DIO16 8xM12A IOLA12 B0**

IO-Link Class A Hub

IO-Link hub in 50 mm plastic housing

1 × M12 IO-Link Class A

8 × M12 I/O

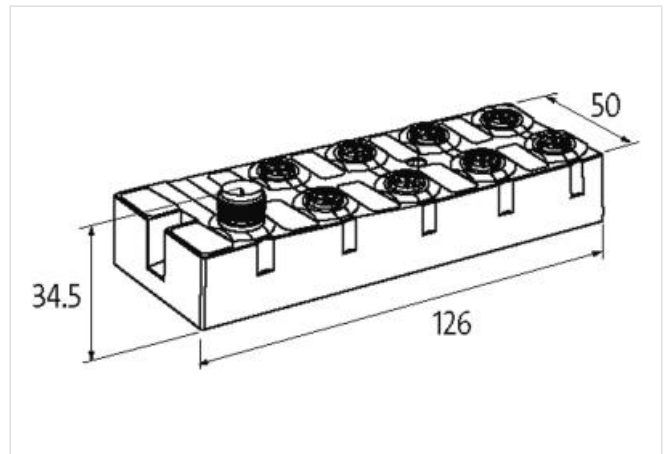
16 configurable digital inputs/outputs

Preconfigured parameter range

Connection cables are in the online shop under "Connection Technology".

[Link to Product](#)**Illustration**

Product may differ from Image

**Commercial data**

|                       |               |
|-----------------------|---------------|
| ECLASS-6.0            | 27242604      |
| ECLASS-6.1            | 27242604      |
| ECLASS-7.0            | 27242604      |
| ECLASS-8.0            | 27242604      |
| ECLASS-9.0            | 27242604      |
| ECLASS-10.1           | 27242604      |
| ECLASS-11.1           | 27242604      |
| ECLASS-12.0           | 27242604      |
| customs tariff number | 85389099      |
| GTIN                  | 4048879865036 |
| Packaging unit        | 1             |

**Electrical data | Supply**

|                              |       |
|------------------------------|-------|
| Operating voltage DC         | 24 V  |
| Operating voltage US DC      | 24 V  |
| Operating voltage US DC min. | 18 V  |
| Operating voltage US DC max. | 30 V  |
| Current consumption max.     | 40 mA |
| Total current US max.        | 4 A   |

**Electrical data | Input**

The information in this Product-PDF has been compiled with the utmost care.  
Liability for the correctness completeness and topicality of the information is restricted to gross negligence. Version: 2024-02-19

|   |                                  |
|---|----------------------------------|
| Sensor current per input max.                   | 0,5 A                            |
| Type input                                      | Type 1, Type 3                   |
| Input filter time                               | 1 ms                             |
| <b>Electrical data   Output</b>                 |                                  |
| Output current per pin max.                     | 0,5 A                            |
| <b>Industrial communication   IO-Link</b>       |                                  |
| IO-Link process data length output              | 2 Bytes                          |
| IO-Link process data length input               | 2 Bytes                          |
| IO-Link revision ID                             | V1.1.2                           |
| IO-Link revision compatibility                  | V1.1.3                           |
| IO-Link type                                    | Device                           |
| IO-Link cycle time min.                         | 1 ms                             |
| IO-Link transmission rate                       | COM3 (230.4 kbit/s)              |
| Port Class                                      | A                                |
| <b>Diagnostics</b>                              |                                  |
| Actuator warning                                | yes                              |
| Diagnostic via LED                              | per module and channel           |
| IO-Link events                                  | No voltage, Undervoltage supply  |
| Short circuit diagnosis                         | yes                              |
| LED display                                     | Ethernet connection/data traffic |
| Status indication LED                           | green                            |
| Overload diagnosis                              | yes                              |
| <b>Device protection   Electrical</b>           |                                  |
| Installation height max. ASL                    | 3000 m                           |
| Degree of protection (EN IEC 60529)             | IP68                             |
| Short-circuit protected                         | yes                              |
| Overload resistant                              | yes                              |
| <b>Mechanical data   Mounting data</b>          |                                  |
| Suitable for mounting type                      | 2-hole screw mounting            |
| Height  | 126 mm                           |
| Width   | 50 mm                            |
| Depth   | 34,5 mm                          |
| <b>Environmental characteristics   Climatic</b> |                                  |
| Operating temperature min.                      | -25 °C                           |
| Operating temperature max.                      | 70 °C                            |
| Storage temperature min.                        | -40 °C                           |
| Storage temperature max.                        | 85 °C                            |
| <b>Conformities, approvals</b>                  |                                  |
| Product standard                                | EN 61131-2                       |
| <b>Connection type 3</b>                        |                                  |
| Connection type 1                               | X0-X7                            |
| Connection type 2                               | XZ1                              |
| Connection type 3                               | XZ1                              |
| Family construction form                        | M12                              |
| Gender  | female                           |
| Color contact carrier                           | black                            |
| Coding  | A                                |
| No. of poles                                    | 5                                |
| PIN 1   | 24 V DC (US)                     |
| PIN 2   | DIO (US)                         |
| PIN 3   | 0 V (US)                         |

|                          |                    |
|--------------------------|--------------------|
| PIN 4                    | DIO (US)           |
| PIN 5                    | PE                 |
| Family construction form | M12                |
| Gender                   | male               |
| Color contact carrier    | black              |
| Coding                   | A                  |
| No. of poles             | 5                  |
| PIN 1                    | 24 V DC US (L +)   |
| PIN 2                    | n.c.               |
| PIN 3                    | 0 V US (L -)       |
| PIN 4                    | C / Q / IO-Link    |
| PIN 5                    | n.c.               |
| Family construction form | M12                |
| Gender                   | male               |
| Coding                   | A                  |
| No. of poles             | 5                  |
| PIN 1                    | 24 V DC (US) (L +) |
| PIN 2                    | n.c.               |
| PIN 3                    | 0 V (US) (L -)     |
| PIN 4                    | C / Q / IO-Link    |
| PIN 5                    | n.c.               |