

M12 female 0° A-cod. with cable

PVC 5x0.34 bk UL/CSA 3m

Female straight

M12, 5-pole

A-coded

Art-No. 7005 - M12 Lite - (plastic hexagonal screw) on request

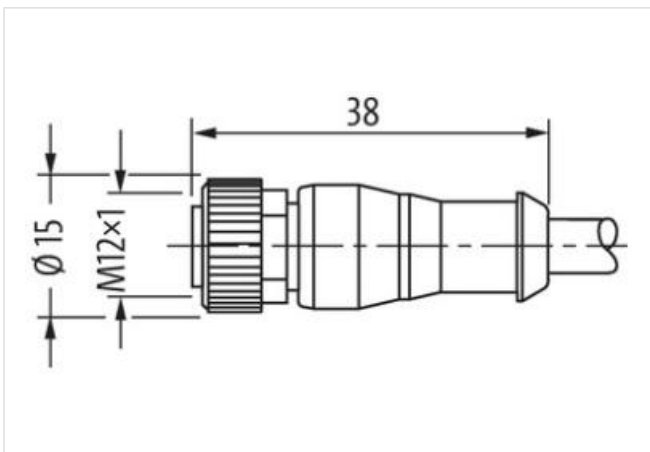
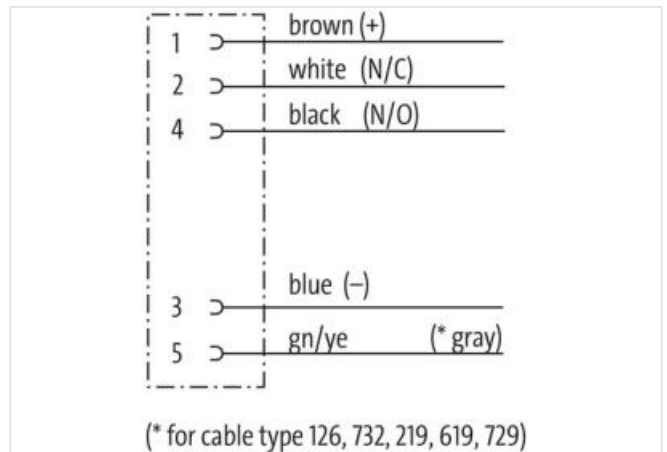
Plastic housings with good resistance against chemicals and oils.

The resistance to aggressive media should be individually tested for your application. Further details on request.

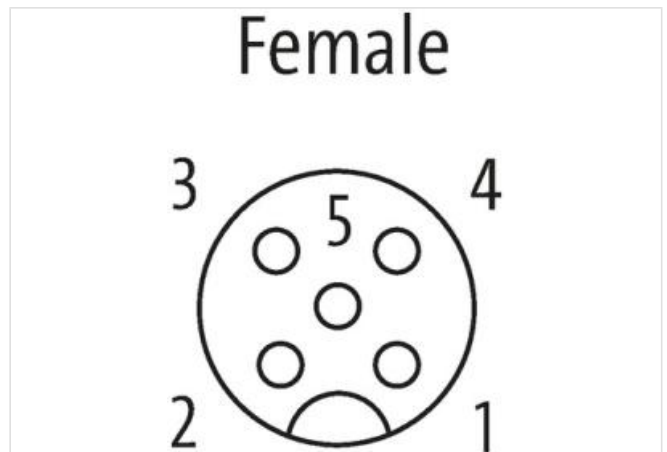
Further cable lengths on request.

[Link to Product](#)

Illustration



Product may differ from Image



Cable length

3 m

Side 1

| | |
|---|-------------------|
| Tightening torque head 1 | 0,6 Nm |
| Mounting method | inserted, screwed |
| Coating contact head 1 | gold plated |
| Family form head 1 | M12 |
| Thread | M12 x 1 |
| Inner diameter contour for corrugated hose head 1 | 10 mm |
| Coding head 1 | A |
| Material contact | Copper alloy |
| Material head 1 | PUR |
| Number of poles head 1 | 5 |
| Width across flats head 1 | SW13 |
| Degree of protection (EN IEC 60529) | IP65, IP66K, IP67 |
| Side 2 | |
| Stripping length (jacket) | 20 mm |
| Coating contact head 2 | gold plated |
| Commercial data | |
| ECLASS-6.0 | 27279218 |
| ECLASS-6.1 | 27279218 |
| ECLASS-7.0 | 27279218 |
| ECLASS-8.0 | 27279218 |
| ECLASS-9.0 | 27060311 |
| ECLASS-10.1 | 27060311 |
| ECLASS-11.1 | 27060311 |
| ECLASS-12.0 | 27060311 |
| ETIM-5.0 | EC001855 |
| customs tariff number | 85444290 |
| GTIN | 4048879211109 |
| Packaging unit | 1 |
| Electrical data Supply | |
| Operating voltage AC (UL-listed) | 30 V |
| Operating voltage AC max. | 125 V |
| Operating voltage DC (UL-listed) | 30 V |
| Operating voltage DC max. | 125 V |
| Current operating per contact max. | 4 A |
| Diagnostics | |
| Status indication LED | no |
| Installation Connection | |
| Stripping length (jacket) | 20 mm |
| Mounting set | M12 x 1 |
| Device protection Electrical | |
| Rated surge voltage | 1,5 kV |
| Material group (IEC 60664-1) | I |
| Protection degree additional condition | inserted, screwed |
| Pollution Degree | 3 |
| Mechanical data Material data | |
| Coating locking | Nickeled |
| Coating of fitting | nickel plated |
| Material gasket | FKM |
| Locking material | Zinc die-casting |
| | Zinc die-casting |

| Mechanical data Mounting data | |
|--|--|
| Mounting method | inserted, screwed, Shaking protection |
| Environmental characteristics Climatic | |
| Operating temperature min. (dynamic) | -5 °C |
| Min. operating temperature (static) | -25 °C |
| Operating temperature max. (dynamic) | 80 °C |
| Max. operating temperature (fixed) | 80 °C |
| Conformities, approvals, certificates | |
| Product standard | DIN EN 61076-2-101 (M12) |
| Cable | |
| No./diameter of wires | 5× 0.34 mm ² |
| Wire isolation | PVC (br, wh, bl, bk, gnye) |
| Outer Ø | 5.2 mm ±5% |
| Cable identification | 615 |
| Cable Type | 1 (PVC) |
| Approval (cable) | UL (AWM-Style 2464/1731), CSA |
| Cable weight [g/m] | 48,4 g |
| Material wire | Cu wire, bare |
| Resistor (core) | max. 60 Ω/km (20 °C) |
| Single wire Ø (core) | 0.15 mm |
| Construction (core) | 19× 0.15 mm (multi-strand wire class 5) |
| Diameter (core) | 5× 0.34 mm ² |
| AWG | similar to AWG 22 |
| Material wire isolation | PVC |
| Material property wire insulation | CFC-, cadmium-, silicone- and lead-free |
| Shore hardness wire isolation | 45 ±5 D |
| Wire-Ø incl. isolation | 1.25 mm ±5% |
| Color/numbering of wires | br, bk, bl, wh, gnye longitudinally striped |
| Stranding combination | 5 wires twisted around central filler |
| Shield | no |
| Material jacket | PVC |
| Material property (jacket) | CFC-, cadmium-, silicone- and lead-free |
| Shore hardness jacket | 85 ±5 A |
| Outer-Ø (jacket) | 5.2 mm ±5% |
| Color jacket | black |
| Jacket Color | black |
| chemical resistance | good resistance to oil, gasoline and chemicals |
| thermal resistance | flame retardant UL 1581 VW1 / CSA FT1 |
| Nominal voltage | UL 300 V AC |
| Test voltage | 2000 V AC |
| Current load capacity | to DIN VDE 0298-4 |
| Temperature range (fixed) | -30...+80 °C |
| Temperature range (fixed) | -30...+80 °C |
| Temperature range (mobile) | -5...+80 °C |
| Temperature range (mobile) | -5...+80 °C |
| Bend radius (fixed) | 5× outer Ø |
| Bend radius (moving) | 10× outer Ø |
| Bend radius (moving) | 10× outer Ø |
| Material jacket | PVC (UL/CSA) |