

**M12 female 0° A-cod. IDC**3-pol., 0.25 - 0.5mm<sup>2</sup>, 4 - 5,1mm

Female straight

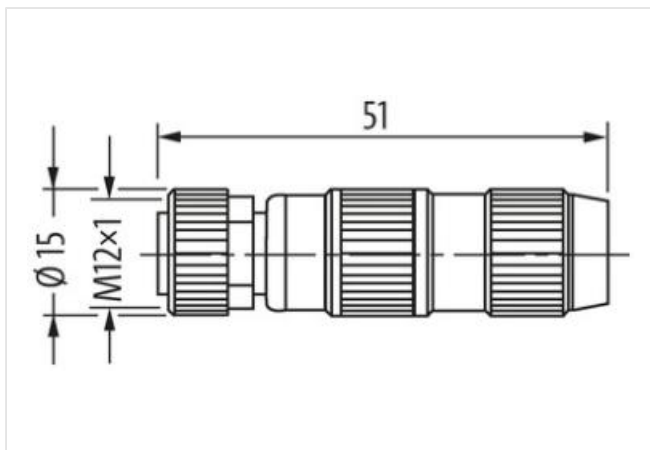
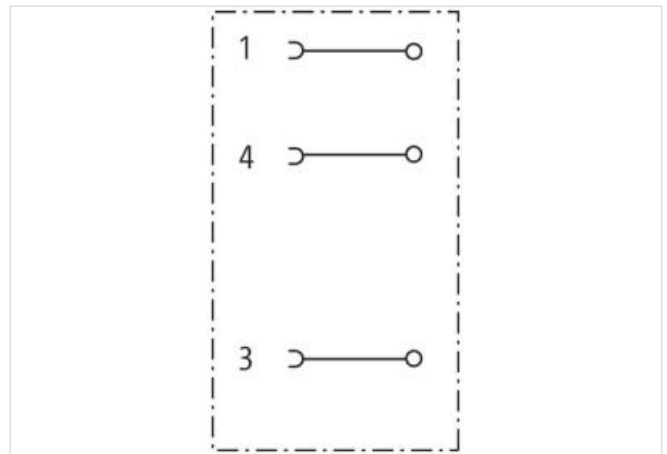
M12, 3-pole

IDC terminals

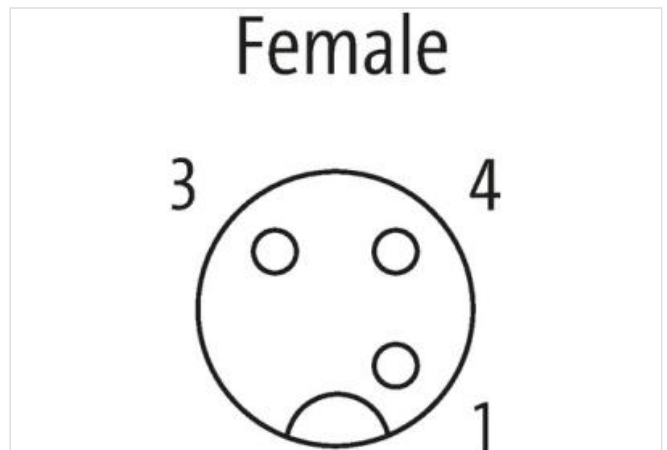
Connection cross section: 0.25...0.5 mm<sup>2</sup>

Art-No. 7005 - M12 Lite - (plastic hexagonal screw) on request

The resistance to aggressive media should be individually tested for your application. Further details on request.

**[Link to Product](#)****Illustration**

Product may differ from Image

**Side 1**

Family form head 1 M12

Degree of protection (EN IEC 60529) IP67

**Commercial data**

ECLASS-6.0 27279221

ECLASS-6.1 27260702

ECLASS-7.0 27440102

ECLASS-8.0 27440102

ECLASS-9.0 27440116

ECLASS-10.1	27440102
ECLASS-11.1	27440102
ECLASS-12.0	27440116
ETIM-5.0	EC002635
customs tariff number	85366990
GTIN	4048879201766
Packaging unit	1

**Electrical data | Supply**

Operating voltage AC max.	32 V
Operating voltage DC max.	32 V
Current operating per contact max.	4 A

**Installation**

Connection cross section min.	0,25 mm <sup>2</sup>
Connection cross section max.	0,5 mm <sup>2</sup>
Single wire diameter min.	0,1 mm

**Installation | Connection**

Wire insulation diameter min.	1,2 mm
Wire insulation diameter max.	1,6 mm
Tightening torque	0,6 Nm

**Device protection | Electrical**

Rated surge voltage	0,8 kV
Material group (IEC 60664-1)	III
Protection degree additional condition	inserted, screwed

**Mechanical data | Mounting data**

Mounting method	inserted, screwed, Shaking protection
Clamping range min.	4 mm
Clamping range max.	5,1 mm
Height	51 mm
Width	15 mm
Depth	15 mm

**Environmental characteristics | Climatic**

Operating temperature min.	-25 °C
Operating temperature max.	85 °C