

M12 female 0° A-cod. IDC4-pol., 0.25 - 0.5mm², 4 - 5,1mm

Female straight

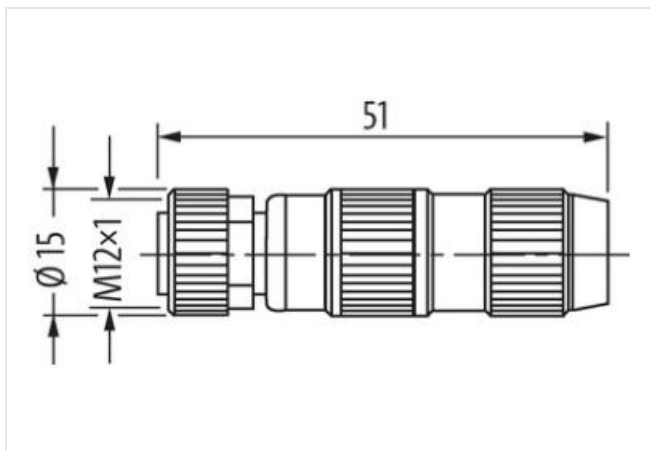
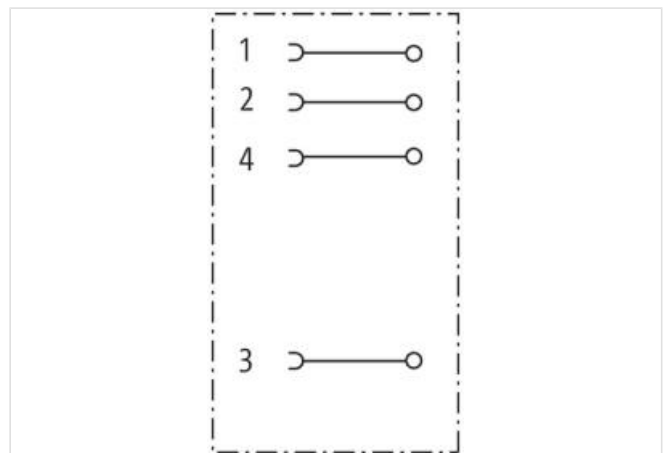
M12, 4-pole

IDC terminals

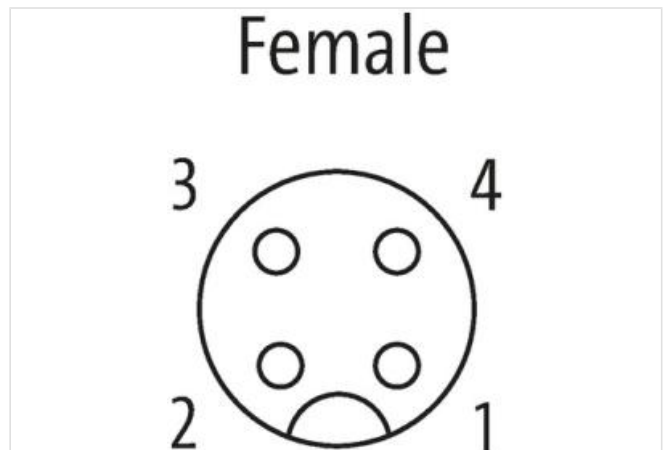
Connection cross section: 0.25...0.5 mm²

Art-No. 7005 - M12 Lite - (plastic hexagonal screw) on request

The resistance to aggressive media should be individually tested for your application. Further details on request.

[Link to Product](#)**Illustration**

Product may differ from Image

**Side 1**

Family form head 1

M12

Degree of protection (EN IEC 60529)

IP67

Commercial data

ECLASS-6.0

27279221

| | |
|-----------------------|---------------|
| ECLASS-6.1 | 27260702 |
| ECLASS-7.0 | 27440102 |
| ECLASS-8.0 | 27440102 |
| ECLASS-9.0 | 27440116 |
| ECLASS-10.1 | 27440102 |
| ECLASS-11.1 | 27440102 |
| ECLASS-12.0 | 27440116 |
| ETIM-5.0 | EC002635 |
| customs tariff number | 85366990 |
| GTIN | 4048879201759 |
| Packaging unit | 1 |

Electrical data | Supply

| | |
|------------------------------------|------|
| Operating voltage AC max. | 32 V |
| Operating voltage DC max. | 32 V |
| Current operating per contact max. | 4 A |

Installation

| | |
|-------------------------------|----------------------|
| Connection cross section min. | 0,25 mm ² |
| Connection cross section max. | 0,5 mm ² |
| Single wire diameter min. | 0,1 mm |

Installation | Connection

| | |
|-------------------------------|--------|
| Wire insulation diameter min. | 1,2 mm |
| Wire insulation diameter max. | 1,6 mm |
| Tightening torque | 0,6 Nm |

Device protection | Electrical

| | |
|--|-------------------|
| Protection degree additional condition | inserted, screwed |
|--|-------------------|

Mechanical data | Mounting data

| | |
|---------------------|---------------------------------------|
| Mounting method | inserted, screwed, Shaking protection |
| Clamping range min. | 4 mm |
| Clamping range max. | 5,1 mm |
| Height | 51 mm |
| Width | 15 mm |
| Depth | 15 mm |

Environmental characteristics | Climatic

| | |
|----------------------------|--------|
| Operating temperature min. | -25 °C |
| Operating temperature max. | 85 °C |