

**M12 female 0° A-cod. screw terminal**5-pol., 0,14 - 1,5mm<sup>2</sup>, 2,5 - 8mm

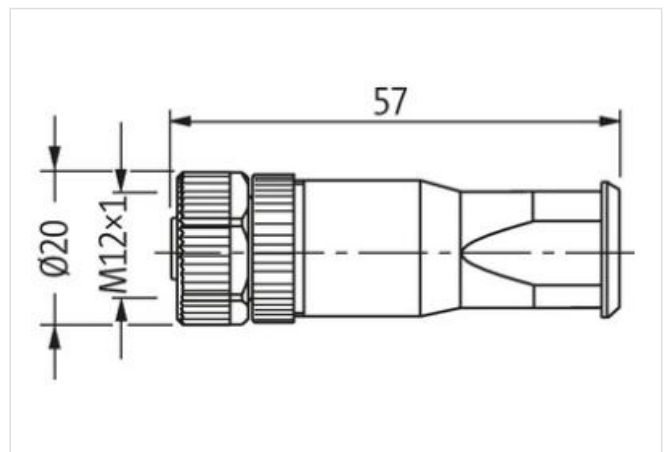
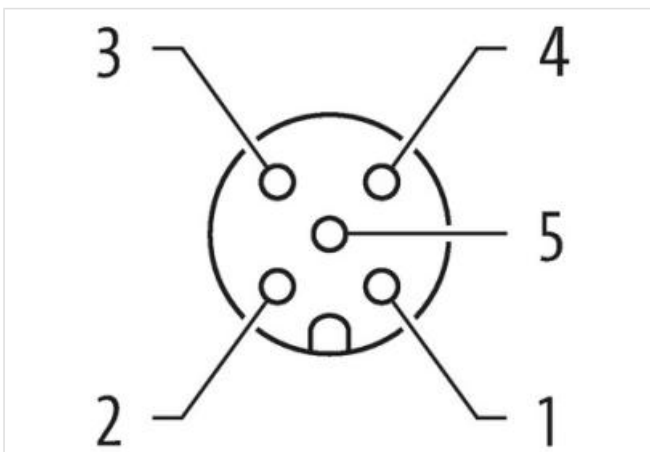
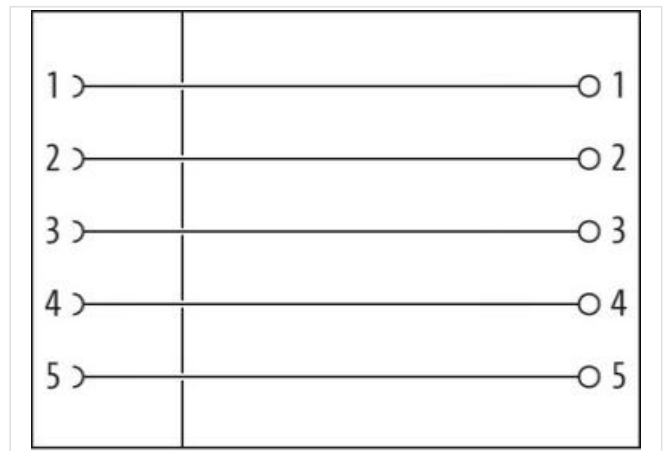
Female straight

M12, 5-pole

Screw terminals

Plastic housings with good resistance against chemicals and oils.

The resistance to aggressive media should be individually tested for your application. Further details on request.

**[Link to Product](#)****Illustration**

Product may differ from Image

**Side 1**

Family construction form	M12
Degree of protection (EN IEC 60529)	IP67

**Commercial data**

ECLASS-6.0	27279221
------------	----------

ECLASS-6.1	27260702
ECLASS-7.0	27440102
ECLASS-8.0	27440102
ECLASS-9.0	27440116
ECLASS-10.1	27440102
ECLASS-11.1	27440102
ECLASS-12.0	27440116
ETIM-5.0	EC002635
customs tariff number	85366990
GTIN	4048879438230
Packaging unit	1

**Electrical data | Supply**

Operating voltage AC max.	60 V
Operating voltage DC max.	60 V
Operating current per contact max. (40°C)	7,5 A

**Installation**

Connection cross section max.	1,5 mm <sup>2</sup>
-------------------------------	---------------------

**Installation | Connection**

Tightening torque	0,6 Nm
-------------------	--------

**Device protection | Electrical**

Additional condition protection degree	inserted, screwed
--	-------------------

**Mechanical data | Mounting data**

Mounting method	Schraubgewinde
Clamping range min.	2,5 mm
Clamping range max.	8 mm
Height	57 mm
Width	20 mm
Depth	20 mm

**Environmental characteristics | Climatic**

Operating temperature min.	-30 °C
Operating temperature max.	85 °C