

M12 female 0° A-cod. screw terminal4-pol., max. 0,75mm², 6 - 8 mm

Female straight

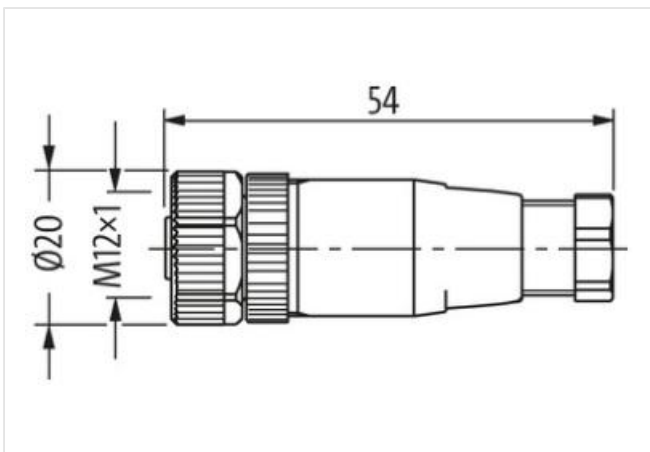
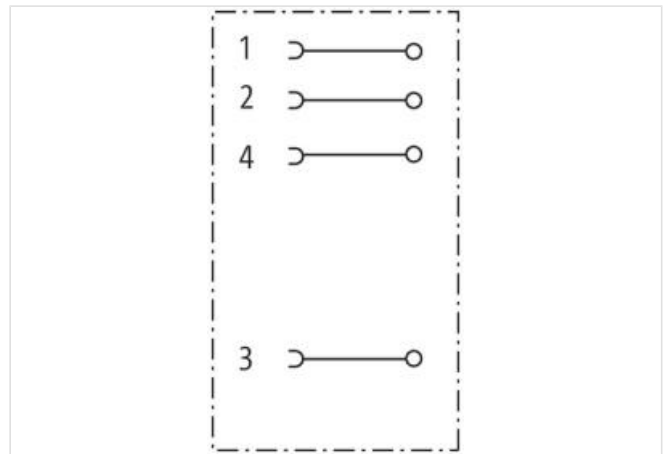
M12, 4-pole

Screw terminals

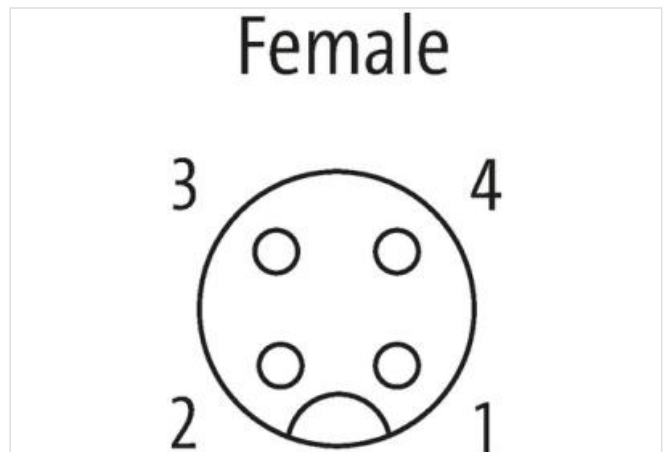
Sealing range (cable Ø): 6...8 mm

Plastic housings with good resistance against chemicals and oils.

The resistance to aggressive media should be individually tested for your application. Further details on request.

[Link to Product](#)**Illustration**

Product may differ from Image

**Side 1**

Family form head 1

M12

Degree of protection (EN IEC 60529)

IP67

Commercial data

ECLASS-6.0

27279221

| | |
|-----------------------|---------------|
| ECLASS-7.0 | 27440104 |
| ECLASS-8.0 | 27440104 |
| ECLASS-9.0 | 27440102 |
| ECLASS-10.1 | 27440102 |
| ECLASS-11.1 | 27440102 |
| ECLASS-12.0 | 27440116 |
| ETIM-5.0 | EC002635 |
| customs tariff number | 85366990 |
| GTIN | 4048879201544 |
| Packaging unit | 1 |

Electrical data | Supply

| | |
|------------------------------------|-------|
| Operating voltage AC max. | 250 V |
| Operating voltage DC max. | 250 V |
| Current operating per contact max. | 4 A |

Installation

| | |
|-------------------------------|----------------------|
| Connection cross section max. | 0,75 mm ² |
|-------------------------------|----------------------|

Installation | Connection

| | |
|-------------------|--------|
| Tightening torque | 0,6 Nm |
|-------------------|--------|

Device protection | Electrical

| | |
|--|-------------------|
| Protection degree additional condition | inserted, screwed |
|--|-------------------|

Mechanical data | Mounting data

| | |
|---------------------|---------------------------------------|
| Mounting method | inserted, screwed, Shaking protection |
| Clamping range min. | 6 mm |
| Clamping range max. | 8 mm |
| Height | 54 mm |
| Width | 20 mm |
| Depth | 20 mm |

Environmental characteristics | Climatic

| | |
|----------------------------|--------|
| Operating temperature min. | -40 °C |
| Operating temperature max. | 85 °C |