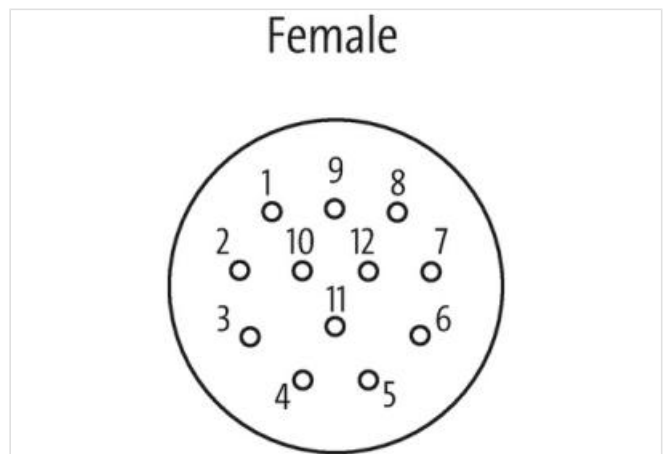
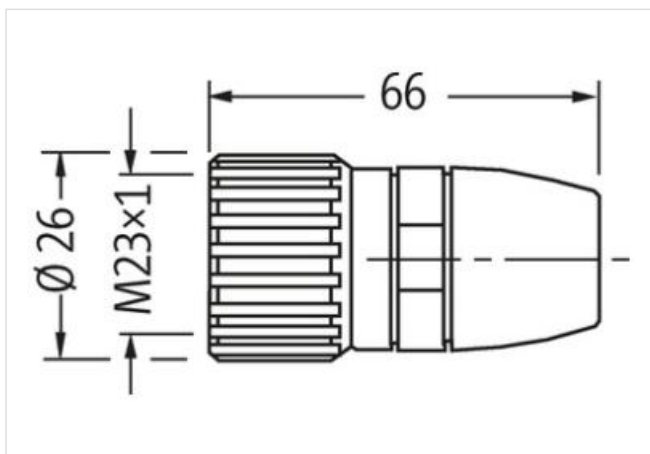
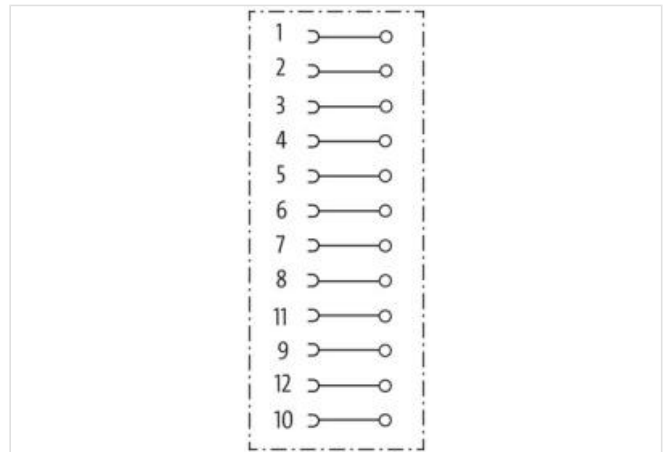


MSCON-A

Female straight
M23, 12-pole
Solder connection

[Link to Product](#)**Illustration**

Product may differ from Image

Side 1

Degree of protection (EN IEC 60529) IP67

Commercial data

ECLASS-6.0	27279221
ECLASS-6.1	27260702
ECLASS-7.0	27440102
ECLASS-8.0	27440102
ECLASS-9.0	27440116
ECLASS-10.1	27440102
ECLASS-11.1	27440102
ECLASS-12.0	27440116
ETIM-5.0	EC001855
customs tariff number	85366990
GTIN	4048879188340

Packaging unit 1

Electrical data | Supply

Operating voltage AC max. 125 V

Operating voltage DC max. 125 V

Current operating per contact max. 8 A

Installation

Connection cross section max. 1 mm²

Installation | Connection

Connection information Solder buckets

Device protection | Electrical

Additional condition protection degree inserted, screwed

Mechanical data | Mounting data

Clamping range min. 8 mm

Clamping range max. 14 mm

Environmental characteristics | Climatic

Operating temperature min. -25 °C

Operating temperature max. 85 °C