

SVS VALVE PLUG FORM B 10 MM FIELD-WIREABLE

24V LED+Z-Diode PG9

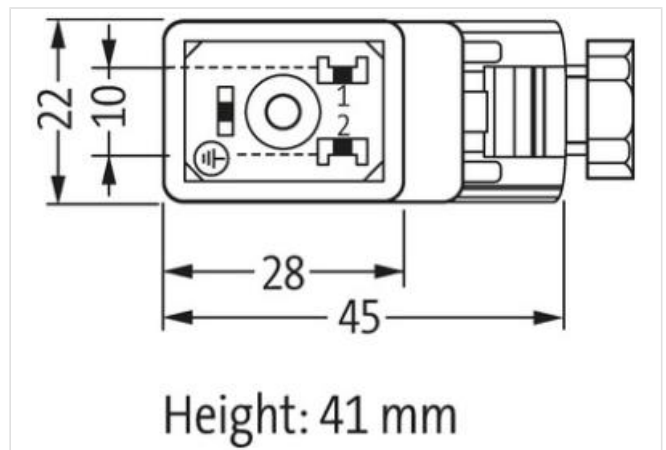
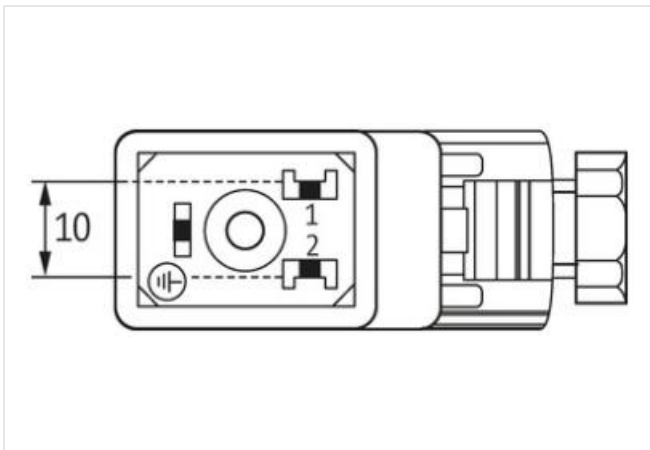
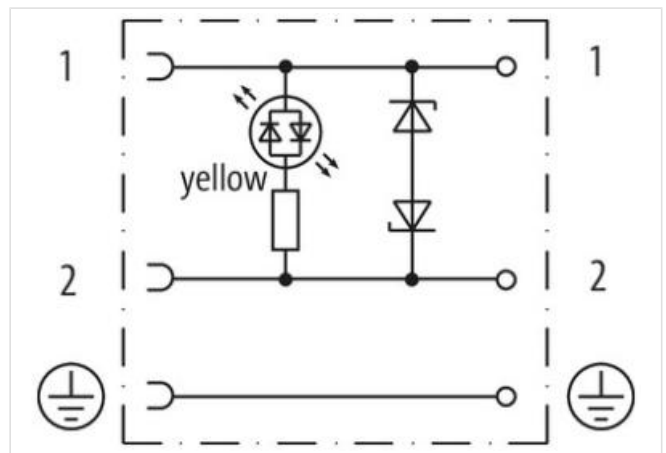
Form B (10 mm)
24 V AC $\pm 20\%$ / DC $\pm 25\%$
LED and Z-diode
PG9

Plastic housings with good resistance against chemicals and oils.

The resistance to aggressive media should be individually tested for your application. Further details on request.

[Link to Product](#)

Illustration



Product may differ from Image



Side 1

Degree of protection (EN IEC 60529)

IP65

Commercial data

ECLASS-6.0

27279221

ECLASS-7.0	27440104
ECLASS-8.0	27440104
ECLASS-9.0	27440102
ECLASS-10.1	27440105
ECLASS-11.1	27440105
ECLASS-12.0	27440105
ETIM-5.0	EC002062
customs tariff number	85366990
GTIN	4048879187336
Packaging unit	1

Electrical data | Supply

Operating voltage AC	24 V
Operating voltage DC	24 V
Current operating per contact max.	4 A

Diagnostics

Status indication LED	yellow
-----------------------	--------

Installation | Connection

Tightening torque	0,4 Nm
Mounting set	M3

Installation | Pin assignment

No. of poles	2 + PE
--------------	--------

Device protection | Electrical

Additional condition protection degree	inserted, screwed
Additional suppressor	Z-Diode

Mechanical data | Mounting data

Mounting method	inserted, screwed
Clamping range min.	5 mm
Clamping range max.	9,5 mm

Environmental characteristics | Climatic

Operating temperature min.	-20 °C
Operating temperature max.	60 °C