

**T-Coupler M12 male / M12 female A-cod.**

5-pol. / 2x 5-pol.

T-coupler

Male straight – females straight

M12 – M12, 5-pole

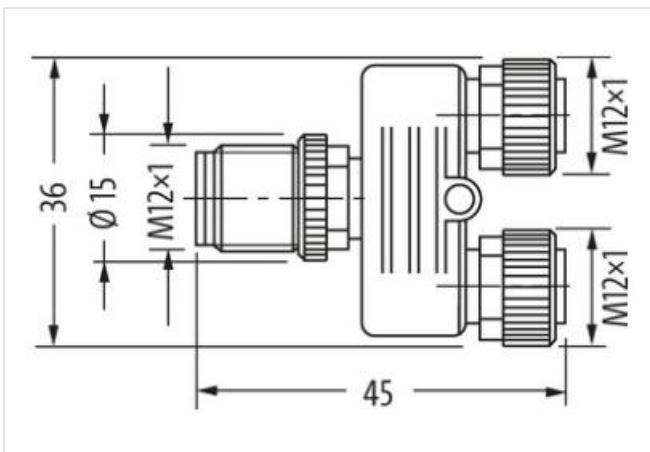
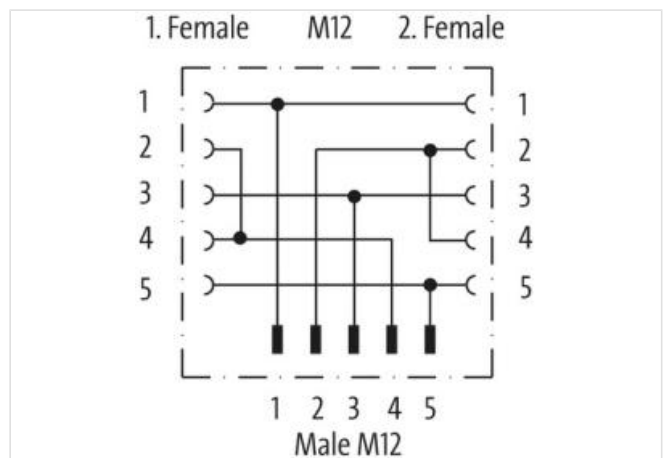
Distribution function (NO)

Plastic housings with good resistance against chemicals and oils.

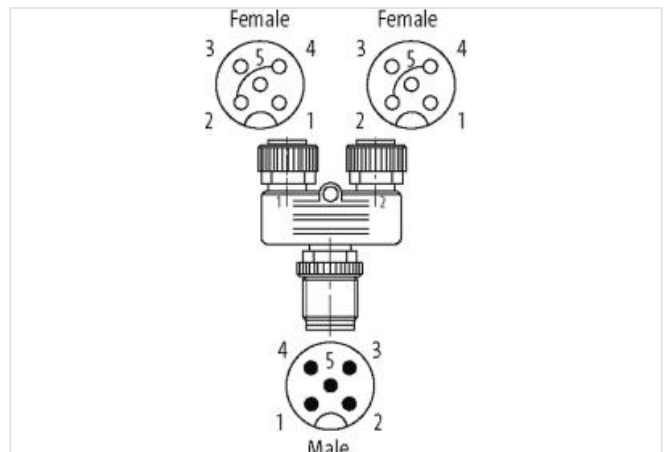
The resistance to aggressive media should be individually tested for your application. Further details on request.

[Link to Product](#)

**Illustration**



Product may differ from Image



**Side 1**

Degree of protection (EN IEC 60529) IP67

**Side 2**

Degree of protection (EN IEC 60529) IP67

**Commercial data**

The information in this Product-PDF has been compiled with the utmost care. Liability for the correctness completeness and topicality of the information is restricted to gross negligence. Version: 2024-04-02

|                       |               |
|-----------------------|---------------|
| ECLASS-6.0            | 27143423      |
| ECLASS-6.1            | 27279221      |
| ECLASS-7.0            | 27440104      |
| ECLASS-8.0            | 27440104      |
| ECLASS-9.0            | 27440106      |
| ECLASS-10.1           | 27440106      |
| ECLASS-11.1           | 27440106      |
| ECLASS-12.0           | 27440106      |
| ETIM-5.0              | EC002062      |
| customs tariff number | 85366990      |
| GTIN                  | 4048879000840 |
| Packaging unit        | 1             |

**Electrical data | Supply**

|                                    |      |
|------------------------------------|------|
| Operating voltage AC max.          | 60 V |
| Operating voltage DC max.          | 60 V |
| Operating voltage AC (UL-listed)   | 30 V |
| Operating voltage DC (UL-listed)   | 30 V |
| Current operating per contact max. | 4 A  |

**Installation | Connection**

|                   |         |
|-------------------|---------|
| Tightening torque | 0,6 Nm  |
| Mounting set      | M12 x 1 |

**Device protection | Electrical**

|  |                   |
|--|-------------------|
| Additional condition protection degree | inserted, screwed |
| Rated surge voltage                    | 1,5 kV            |
| Material group (IEC 60664-1)           | I                 |

**Mechanical data | Material data**

|                  |                  |
|------------------|------------------|
| Coating locking  | Nickel           |
| Locking material | Zinc die-casting |

**Mechanical data | Mounting data**

|                 |                                       |
|-----------------|---------------------------------------|
| Mounting method | inserted, screwed, Shaking protection |
|-----------------|---------------------------------------|

**Environmental characteristics | Climatic**

|                            |        |
|----------------------------|--------|
| Operating temperature min. | -25 °C |
| Operating temperature max. | 85 °C  |