

RJ45 Professional male 0° IDC

4-pol., 0,14 - 0,34mm², 4,5 - 9mm, shielded, CAT5

Ethernet CAT5

Male straight

RJ45, 4-pole

shielded

Protection IP20

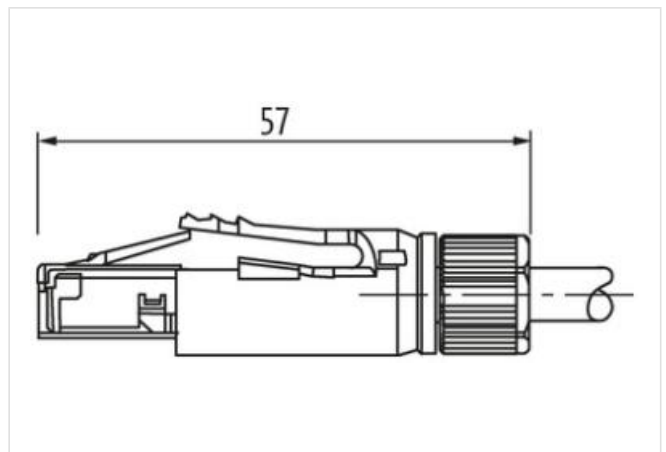
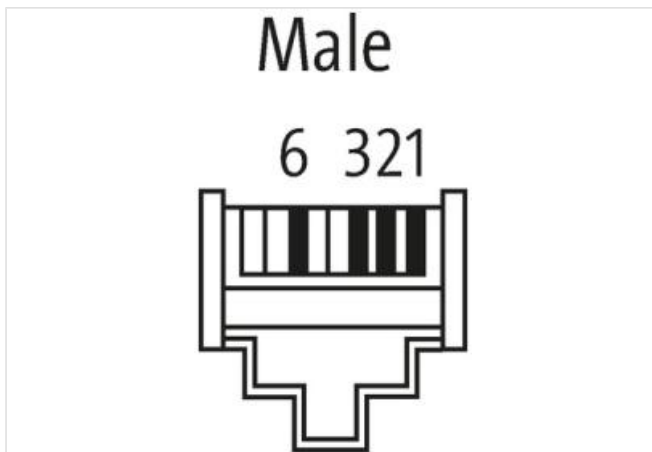
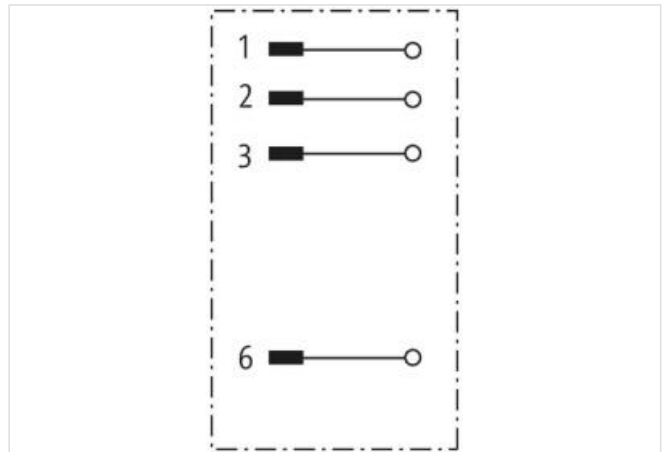
Quick connection technology

Plastic housings with good resistance against chemicals and oils.

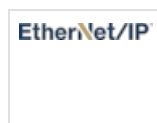
The resistance to aggressive media should be individually tested for your application. Further details on request.

[Link to Product](#)

Illustration



Product may differ from Image



Commercial data

ECLASS-6.0 27279221

ECLASS-6.1 27260703

ECLASS-7.0	2744010
ECLASS-8.0	2744010
ECLASS-9.0	27440114
ECLASS-10.1	2744010
ECLASS-11.1	2744010
ECLASS-12.0	27440114
ETIM-5.0	EC002635
customs tariff number	85366990
GTIN	4048879409346
Packaging unit	1

Electrical data | Supply

Operating voltage DC max.	60 V
Current operating per contact max.	2 A

Industrial communication

Transfer parameters	CAT5, Class D (ISO/IEC 11801:2002), (EN 50173-1)
Data transmission rate max.	100 MBit/s

Industrial communication | Ethernet functionality

duplex	Full duplex
--------	-------------

Installation

Connection cross section min.	0,14 mm ²
Connection cross section max.	0,34 mm ²
AWG number min.	26
AWG number max.	22

Installation | Connection

Wire insulation diameter max.	1,6 mm
-------------------------------	--------

Device protection | Electrical

Degree of protection (EN IEC 60529)	IP20
-------------------------------------	------

Mechanical data | Mounting data

Clamping range min.	4,5 mm
Clamping range max.	9 mm

Environmental characteristics | Climatic

Operating temperature min.	-40 °C
Operating temperature max.	70 °C