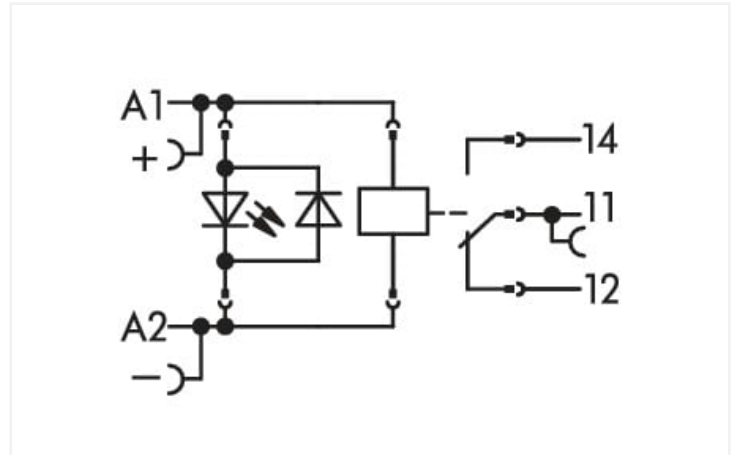
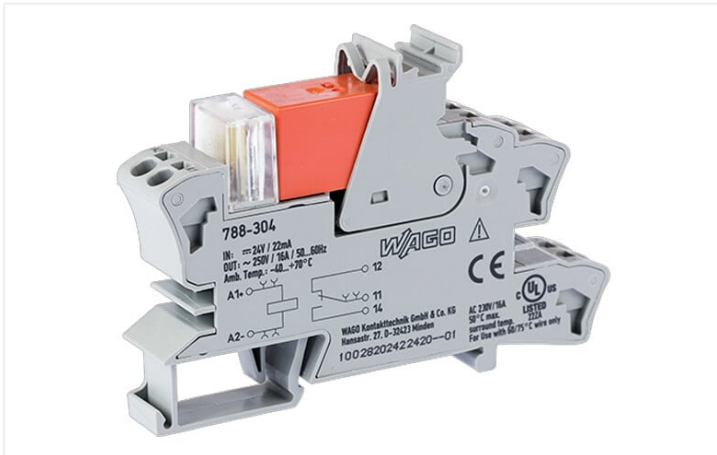


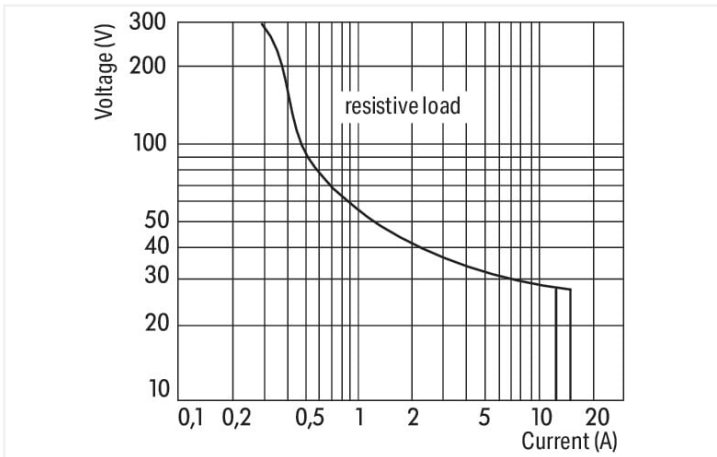
# Data Sheet | Item Number: 788-304

Modul releu; Tensiune nominală de intrare: 24 V c.c.; 1 contact inversor; Intensitate continuă limitată: 16 A; Indicator de stare roșu; Lățime modul: 15 mm; 2,50 mm<sup>2</sup>; gri

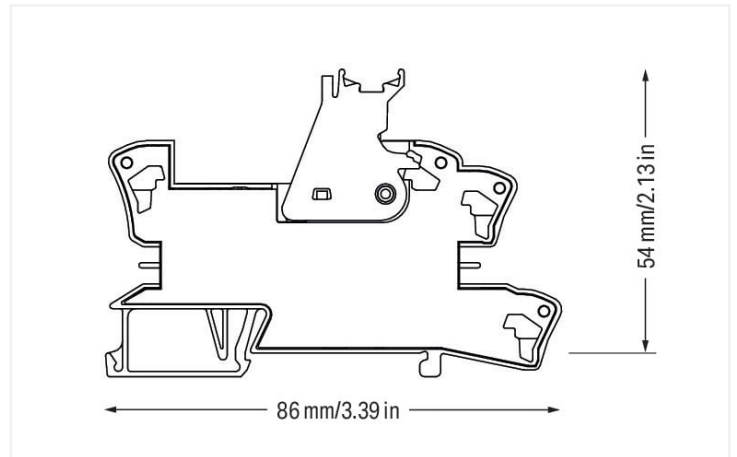
<https://www.wago.com/788-304>



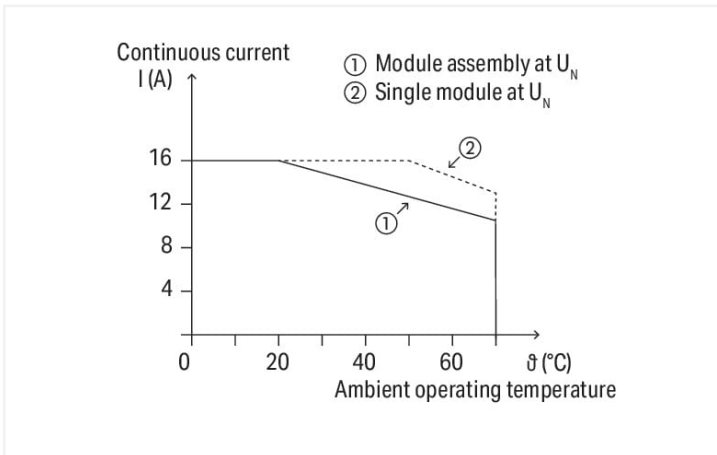
Color: ■ gri



DC load limit curve



Dimensions in mm



Current-carrying capacity curve

## Notes

Safety information	A separator plate (e.g., 209-191) must be used for voltages greater than 250 V between adjacent relay modules and for compliance with the reinforced insulation requirements.
Note	<ul style="list-style-type: none"> <li>Reinforced insulation between coil and contacts</li> <li>To protect the relay coils and contacts, inductive loads must be dampened with an effective protection circuit.</li> </ul>

## Technical data

### Control circuit

Nominal input voltage $U_N$	DC 24 V
Input voltage range	$\pm 10\%$
Nominal input current at $U_N$	19 mA

### Load circuit

Number of changeover/switchover contacts	1
Contact material (relay)	AgNi 90/10
Limiting continuous current	16 A
Inrush current (resistive) max.	(AC) 30 A / 4 s
Switching voltage (max.)	AC 250 V
Switching power (resistive) max.	AC 4000 VA; DC (see load limit curve)
Switching capacity	AC-15: 6 A / AC 250 V; DC-13: 2 A / DC 24 V
Recommended minimum load	12 V / 10 mA
Pull-in time (typ.)	8 ms
Drop-out time (typ.)	6 ms
Bounce time (typ.)	6 ms
Electrical life (NO; resistive load; 23 °C)	$30 \times 10^3$ comutări
Mechanical life	$30 \times 10^6$ comutări
Switching frequency with/without load (max.)	$6 \text{ min}^{-1}$ / $1200 \text{ min}^{-1}$

## Signaling

Status indicator	Red LED
------------------	---------

## Safety and protection

Rated voltage	250 V
Rated surge voltage	4 kV
Pollution degree	3
Dielectric strength (control/load circuit) (AC, 1 min)	5 kVrms
Dielectric strength (open contact) (AC, 1 min)	1 kVrms
Safety information	A separator plate (e.g., 209-191) must be used for voltages greater than 250 V between adjacent relay modules and for compliance with the reinforced insulation requirements.
Protection type	IP20

## Connection data

Connection technology	Push-in CAGE CLAMP®
Solid conductor	0,34 ... 2,5 mm <sup>2</sup> / 22 ... 14 AWG
Fine-stranded conductor	0,34 ... 2,5 mm <sup>2</sup> / 22 ... 14 AWG
Strip length	9 ... 10 mm / 0.35 ... 0.39 inci

### Physical data

Width	15 mm / 0.591 inci
Height	86 mm / 3.386 inci
Depth from upper-edge of DIN-rail	54 mm / 2.126 inci

### Mechanical data

Mounting type	DIN-35 rail
---------------	-------------

### Material data

Color	gri
Fire load	0.927 MJ
Weight	45.9 g

### Environmental requirements

Ambient temperature (operation at $U_N$ )	-40 ... +70 °C
Ambient temperature UL (operation at $U_N$ )	-40 ... +50 °C
Ambient temperature (storage)	-40 ... +70 °C
Processing temperature	-25 ... +50 °C
Temperature range of connection cable	$\geq (T_{\text{ambient}} + 20 \text{ K})$

### Standards and specifications

Standards/specifications	EN 61010-2-201 EN 61810-1 EN 61373 UL 508 (max. 10 A)
--------------------------	--

### Basic relay

WAGO Basic Relay	788-154
------------------	---------

### Commercial data

Product Group	6 (INTERFACE ELECTRONIC)
eCl@ss 10.0	27-37-16-01
eCl@ss 9.0	27-37-16-01
ETIM 8.0	EC001437
ETIM 7.0	EC001437
PU (SPU)	20 (1) Buc.
Packaging type	Box
Country of origin	CN
GTIN	4055143184113
Customs tariff number	85364900990

## Environmental Product Compliance

CAS-No.	80-05-7
REACH Candidate List Substance	4,4'-isopropylidenediphenol
RoHS Compliance Status	Compliant, No Exemption
SCIP notification number (Austria)	84ae7b9f-3fe5-4da9-9731-c89b39422f3e
SCIP notification number (Belgium)	162bfd49-de13-43b9-abc4-68173c689386
SCIP notification number (Bulgaria)	2a4fbf75-e73d-443c-b5b9-dffc28501cd
SCIP notification number (Czech Republic)	cd025afe-2a02-4a21-bc80-bcaeb91ff082
SCIP notification number (Denmark)	ac5d1b6f-9680-4651-98af-86c04d78ab67
SCIP notification number (Finland)	85fa947a-6a38-4d85-90dc-4c12aecd5137
SCIP notification number (France)	5cf9e1db-eef0-4269-b4a6-7376973f581e
SCIP notification number (Germany)	cedcf22f-3718-4ebf-a376-4488406c01d6
SCIP notification number (Hungary)	f211f016-224b-4f18-9217-e87c0676401a
SCIP notification number (Italy)	203e48c6-de1b-4349-b952-1c69055eee16
SCIP notification number (Netherlands)	382a1d8e-79e5-4426-9fcd-4c35748754e4
SCIP notification number (Poland)	9a8d598b-7e0b-43ea-b5a3-09a5a851620a
SCIP notification number (Romania)	985e8d7f-acb8-4cf2-afc8-6b464f4db8e7
SCIP notification number (Sweden)	ca754066-af24-4b2e-9d81-e882de52b25c

## Approvals / Certificates

### General approvals



Approval	Standard	Certificate Name
EAC Brjansker Zertifizierungs- stelle	TP TC 004/2011	EAC RU C-DE.AM02. B.00122/19
UL Underwriters Laboratories Inc. (ORDINARY LOCATI- ONS)	UL 508	E175199 Vol.1 Sec.6

### Declarations of conformity and manufacturer's declarations

Approval	Standard	Certificate Name
EU-Declaration of Confor- mity WAGO GmbH & Co. KG	-	-
UK-Declaration of Confor- mity WAGO GmbH & Co. KG	-	-

## Downloads

### Documentation

Bid Text				Instruction Leaflet			
788-304	25.01.2019	docx 16.30 KB	<a href="#">↓</a>	Sockets with Elementa- ry Relay/ SSR	V 1.0.1 09.10.2020	pdf 2271.22 KB	<a href="#">↓</a>
788-304	19.02.2019	xml 4.60 KB	<a href="#">↓</a>				
ausschreiben.de 788-304			<a href="#">↓</a>				

## CAD/CAE-Data

## CAD data

2D/3D Models 788-304



## CAE data

EPLAN Data Portal  
788-304WSCAD Universe  
788-304

ZUKEN Portal 788-304



## 1 Compatible Products

## 1.1 Optional Accessories

## 1.1.1 Basic relay

## 1.1.1.1 Basic relay

**Item No.: 788-154**

Releu de bază; Tensiune nominală de intrare: 24 V c.c.; 1 contact inversor; Intensitate continuă limită: 16 A; Lățime modul: 13 mm; Înălțime modul: 15 mm

## 1.1.2 Ferrule

## 1.1.2.1 Ferrule

**Item No.: 216-542**

Manșon de capăt dublu; Manșon pentru 2 x 1 mm<sup>2</sup> / AWG 2 x 18; roșu, izolat; 12 mm lungime; roșu

**Item No.: 216-241**

Manșon de capăt; Manșon pentru 0,5 mm<sup>2</sup> / 20 AWG; izolat; galvanizat cu cositor; cupru electrolitic; sertizat etanș la gaz; conform DIN 46228, partea 4/09.90; alb

**Item No.: 216-242**

Manșon de capăt; Manșon pentru 0,75 mm<sup>2</sup> / 18 AWG; izolat; galvanizat cu cositor; cupru electrolitic; sertizat etanș la gaz; conform DIN 46228, partea 4/09.90; gri

**Item No.: 216-243**

Manșon de capăt; Manșon pentru 1 mm<sup>2</sup> / AWG 18; izolat; galvanizat cu cositor; cupru electrolitic; sertizat etanș la gaz; conform DIN 46228, partea 4/09.90; roșu

**Item No.: 216-244**

Manșon de capăt; Manșon pentru 1,5 mm<sup>2</sup> / AWG 16; izolat; galvanizat cu cositor; cupru electrolitic; sertizat etanș la gaz; conform DIN 46228, partea 4/09.90; negru

## 1.1.3 Indicators

## 1.1.3.1 Status indication

**Item No.: 788-120**

Accesorii pentru module releu; Indicator de stare de operare: roșu; Tensiune nominală de funcționare: 24 V c.c.

## 1.1.4 Jumper

### 1.1.4.1 Jumper



**Item No.: 788-118**

Șunt; pentru slot șunt; 2 căi; de la 1 la 3; izolat; gri deschis



**Item No.: 788-113**

Șunt; pentru slot șunt; 2 căi; izolat; gri deschis



**Item No.: 859-402**

Șunt; pentru slot șunt; 2 căi; izolat; gri deschis



**Item No.: 788-114**

Șunt; pentru slot șunt; 3 căi; izolat; gri deschis



**Item No.: 788-115**

Șunt; pentru slot șunt; 4 căi; izolat; gri deschis



**Item No.: 788-116**

Șunt; pentru slot șunt; 6 căi; izolat; gri deschis



**Item No.: 788-117**

Șunt; pentru slot șunt; 8 căi; izolat; gri deschis

### 1.1.5 Marking

#### 1.1.5.1 Double marker carrier



**Item No.: 209-128**

Adaptor; gri

#### 1.1.5.2 Group marker carrier



**Item No.: 209-145**

Support marker grup; alb



**Item No.: 249-105**

Support marker grup; gri

#### 1.1.5.3 Marker



**Item No.: 793-501**

Card de marcare WMB; sub formă de card; fără posibilitate de extindere; simplu; tip cu clipsare; alb



**Item No.: 793-502**

Card de marcare WMB; sub formă de card; MARCAT; 1 ... 10 (10x); fără posibilitate de extindere; Marcare orizontală; tip cu clipsare; alb



**Item No.: 793-503**

Card de marcare WMB; sub formă de card; MARCAT; 11 ... 20 (10x); fără posibilitate de extindere; Marcare orizontală; tip cu clipsare; alb



**Item No.: 793-504**

Card de marcare WMB; sub formă de card; MARCAT; 21 ... 30 (10x); fără posibilitate de extindere; Marcare orizontală; tip cu clipsare; alb



**Item No.: 793-505**

Card de marcare WMB; sub formă de card; MARCAT; 31 ... 40 (10x); fără posibilitate de extindere; Marcare orizontală; tip cu clipsare; alb



**Item No.: 209-183**

Card marker; alb



**Item No.: 2009-115**

WMB-Inline; pentru Smart Printer; 1500 bucăți pe rolă; posibilitate de extindere 5 - 5,2 mm; simplu; tip cu clipsare; alb

#### 1.1.5.4 Marking device



**Item No.: 210-110**

Stilou cu vârf din fibre

#### 1.1.5.5 Marking strip



**Item No.: 2009-110**

Benzi de marcaj; pentru Smart Printer; pe bobină; fără posibilitate de extindere; simplu; tip cu clipsare; alb

### 1.1.5.6 Protective marker cover



Item No.: 209-184

Capac de protecție; transparent

### 1.1.6 Tool

#### 1.1.6.1 Operating tool

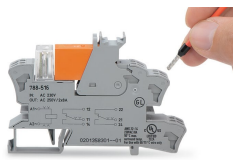


Item No.: 210-720

Unealtă de operare; Lamă: 3,5 x 0,5 mm; cu mâner izolat parțial; multicolor

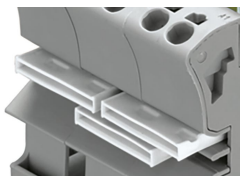
## Installation Notes

### Conductor termination



Conductor termination

### Commoning



Easy commoning using adjacent jumpers

### Marking



Marking using WMB Multi markers and group marker carriers.