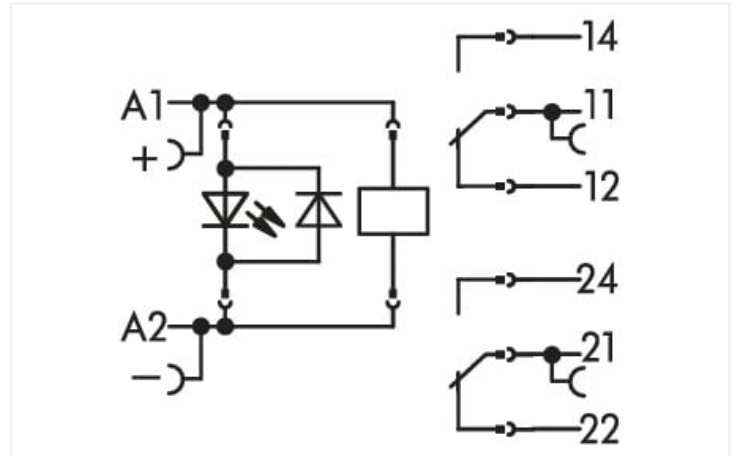
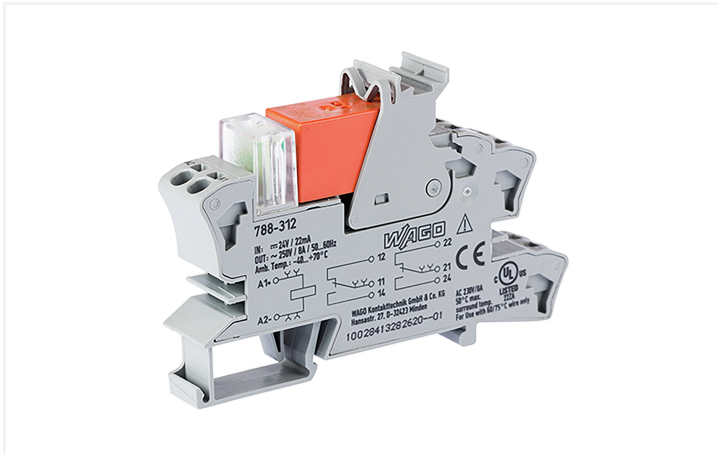


# Data Sheet | Item Number: 788-312

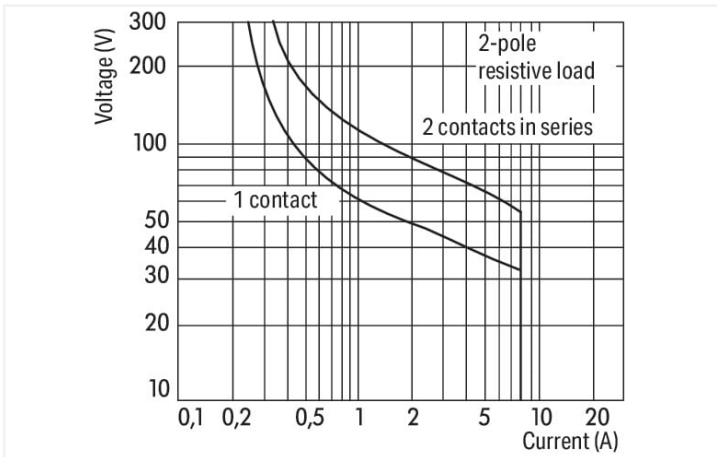
Modul releu; Tensiune nominală de intrare: 24 V c.c.; 2 contacte basculante; Intensitate continuă limită: 8 A; Indicator de stare roșu; Lățime modul: 15 mm; 2,50 mm<sup>2</sup>; gri



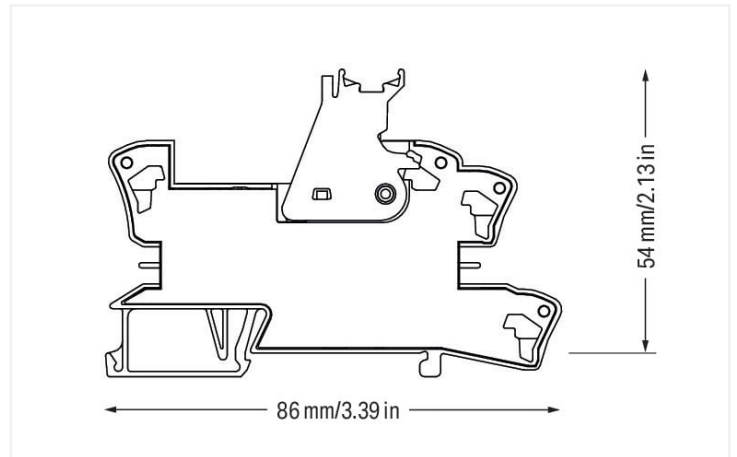
<https://www.wago.com/788-312>



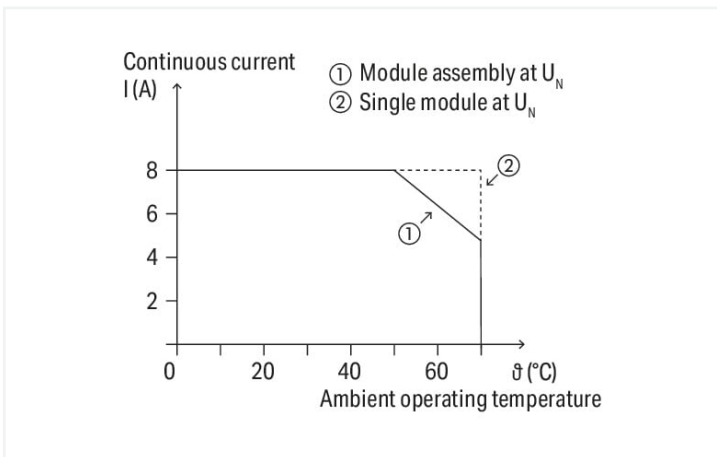
Color: ■ gri



DC load limit curve



Dimensions in mm



Current-carrying capacity curve

## Notes

Safety information	A separator plate (e.g., 209-191) must be used for voltages greater than 250 V between adjacent relay modules and for compliance with the reinforced insulation requirements.
Note	Reinforced insulation between coil and contacts To protect the relay coils and contacts, inductive loads must be dampened with an effective protection circuit.

## Technical data

## Control circuit

Nominal input voltage $U_N$	DC 24 V
Input voltage range	$\pm 10\%$
Nominal input current at $U_N$	19 mA

## Load circuit

Number of changeover/switchover contacts	2
Contact material (relay)	AgNi 90/10
Limiting continuous current	8 A
Inrush current (resistive) max.	(AC) 15 A / 4 s
Switching voltage (max.)	AC 250 V
Switching power (resistive) max.	AC 2000 VA; DC (see load limit curve)
Switching capacity	AC-15: 3 A / AC 250 V; DC-13: 2 A / DC 24 V
Recommended minimum load	12 V / 10 mA
Pull-in time (typ.)	8 ms
Drop-out time (typ.)	13 ms
Bounce time (typ.)	10 ms
Electrical life (NO; resistive load; 23 °C)	$10 \times 10^9$ comutări
Mechanical life	$30 \times 10^6$ comutări
Switching frequency with/without load (max.)	$6 \text{ min}^{-1}$ / $1200 \text{ min}^{-1}$

## Signaling

Status indicator	Red LED
------------------	---------

## Safety and protection

Rated voltage	250 V
Rated surge voltage	4 kV
Pollution degree	3
Dielectric strength (control/load circuit) (AC, 1 min)	5 kVrms
Dielectric strength (open contact) (AC, 1 min)	1 kVrms
Dielectric strength (load/load circuit) (AC, 1 min)	2,5 kVrms
Safety information	A separator plate (e.g., 209-191) must be used for voltages greater than 250 V between adjacent relay modules and for compliance with the reinforced insulation requirements.
Protection type	IP20

## Connection data

Connection technology	Push-in CAGE CLAMP®
Solid conductor	0,34 ... 2,5 mm <sup>2</sup> / 22 ... 14 AWG
Fine-stranded conductor	0,34 ... 2,5 mm <sup>2</sup> / 22 ... 14 AWG
Strip length	9 ... 10 mm / 0.35 ... 0.39 inci

### Physical data

Width	15 mm / 0.591 inci
Height	86 mm / 3.386 inci
Depth from upper-edge of DIN-rail	54 mm / 2.126 inci

### Mechanical data

Mounting type	DIN-35 rail
---------------	-------------

### Material data

Color	gri
Fire load	1.357 MJ
Weight	45.5 g

### Environmental requirements

Ambient temperature (operation at $U_N$ )	-40 ... +70 °C
Ambient temperature UL (operation at $U_N$ )	-40 ... +50 °C
Ambient temperature (storage)	-40 ... +70 °C
Processing temperature	-25 ... +50 °C
Temperature range of connection cable	$\geq (T_{\text{ambient}} + 20 \text{ K})$

### Standards and specifications

Standards/specifications	EN 61010-2-201 EN 61810-1 EN 61373 UL 508
--------------------------	--

### Basic relay

WAGO Basic Relay	788-156
------------------	---------

### Commercial data

Product Group	6 (INTERFACE ELECTRONIC)
eCl@ss 10.0	27-37-16-01
eCl@ss 9.0	27-37-16-01
ETIM 8.0	EC001437
ETIM 7.0	EC001437
PU (SPU)	20 (1) Buc.
Packaging type	Box
Country of origin	CN
GTIN	4055143184137
Customs tariff number	85364900990

**Environmental Product Compliance**

CAS-No.	80-05-7
REACH Candidate List Substance	4,4'-isopropylidenediphenol
RoHS Compliance Status	Compliant, No Exemption
SCIP notification number (Austria)	24d2c028-d78a-47d5-854b-7e27c80364cd
SCIP notification number (Belgium)	5ac37397-baae-4e58-a3d3-61435578db9f
SCIP notification number (Bulgaria)	de1cb4da-97c0-4008-9269-da951ab1ef16
SCIP notification number (Czech Republic)	c403f750-ef31-42a4-aad9-12e1c6f4fe05
SCIP notification number (Denmark)	08d49e8e-6e93-4346-8e74-784ca6f59bef
SCIP notification number (Finland)	d1c1e038-ca63-45b9-b8ad-df061b16ed25
SCIP notification number (France)	853c5f70-bd31-4f01-9c72-acb268d802cd
SCIP notification number (Germany)	29efa91e-de52-404a-a3b5-7a02ea50bb5
SCIP notification number (Hungary)	05ecf633-f69c-4fac-b89c-9c17adcb3af3
SCIP notification number (Italy)	d0c19709-ee3b-4706-ba8a-2fcb782cda1
SCIP notification number (Netherlands)	d263f759-daa0-4cac-a565-b787a6062566
SCIP notification number (Poland)	252526f9-7a88-4d6b-b7b5-7ba6d6981d94
SCIP notification number (Romania)	d9b9f293-6b25-417a-96e3-84fe7cee93b2
SCIP notification number (Sweden)	522525c4-ff5a-471a-bb93-f6be7d85275a

**Approvals / Certificates**

**General approvals**



Approval	Standard	Certificate Name
EAC Brjansker Zertifizierungsstelle	TP TC 004/2011	EAC RU C-DE.AM02. B.00122/19
UL Underwriters Laboratories Inc. (ORDINARY LOCATIONS)	UL 508	E175199 Vol.1 Sec.6

**Declarations of conformity and manufacturer's declarations**

Approval	Standard	Certificate Name
EU-Declaration of Conformity WAGO GmbH & Co. KG	-	-
UK-Declaration of Conformity WAGO GmbH & Co. KG	-	-

**Downloads**

**Environmental Product Compliance**

**Compliance Search**

Environmental Product Compliance 788-312	↓
--	---

**Documentation**





**Bid Text**

788-312	25.01.2019	docx 16.40 KB	↓
788-312	19.02.2019	xml 4.60 KB	↓
ausschreiben.de 788-312			↓

**Instruction Leaflet**

Sockets with Elementary Relay/ SSR	V 1.0.1 09.10.2020	pdf 2271.22 KB	↓
------------------------------------	-----------------------	-------------------	---

## CAD/CAE-Data

CAD data	CAE data
2D/3D Models 788-312 	EPLAN Data Portal 788-312 
	WSCAD Universe 788-312 
	ZUKEN Portal 788-312 

## 1 Compatible Products

## 1.1 Optional Accessories

## 1.1.1 Basic relay

## 1.1.1.1 Basic relay

**Item No.: 788-156**

Releu de bază; Tensiune nominală de intrare: 24 V c.c.; 2 contacte basculante; Intensitate continuă limită: 8 A; Lățime modul: 13 mm; Înălțime modul: 15 mm

## 1.1.2 Ferrule

## 1.1.2.1 Ferrule

**Item No.: 216-542**

Manșon de capăt dublu; Manșon pentru 2 x 1 mm<sup>2</sup> / AWG 2 x 18; roșu, izolat; 12 mm lungime; roșu

**Item No.: 216-241**

Manșon de capăt; Manșon pentru 0,5 mm<sup>2</sup> / 20 AWG; izolat; galvanizat cu cositor; cupru electrolitic; sertizat etanș la gaz; conform DIN 46228, partea 4/09.90; alb

**Item No.: 216-242**

Manșon de capăt; Manșon pentru 0,75 mm<sup>2</sup> / 18 AWG; izolat; galvanizat cu cositor; cupru electrolitic; sertizat etanș la gaz; conform DIN 46228, partea 4/09.90; gri

**Item No.: 216-243**

Manșon de capăt; Manșon pentru 1 mm<sup>2</sup> / AWG 18; izolat; galvanizat cu cositor; cupru electrolitic; sertizat etanș la gaz; conform DIN 46228, partea 4/09.90; roșu

**Item No.: 216-244**

Manșon de capăt; Manșon pentru 1,5 mm<sup>2</sup> / AWG 16; izolat; galvanizat cu cositor; cupru electrolitic; sertizat etanș la gaz; conform DIN 46228, partea 4/09.90; negru

## 1.1.3 Indicators

## 1.1.3.1 Status indication

**Item No.: 788-120**

Accesorii pentru module releu; Indicator de stare de operare: roșu; Tensiune nominală de funcționare: 24 V c.c.

## 1.1.4 Jumper

### 1.1.4.1 Jumper



**Item No.: 788-118**

Șunt; pentru slot șunt; 2 căi; de la 1 la 3; izolat; gri deschis



**Item No.: 788-113**

Șunt; pentru slot șunt; 2 căi; izolat; gri deschis



**Item No.: 859-402**

Șunt; pentru slot șunt; 2 căi; izolat; gri deschis



**Item No.: 788-114**

Șunt; pentru slot șunt; 3 căi; izolat; gri deschis



**Item No.: 788-115**

Șunt; pentru slot șunt; 4 căi; izolat; gri deschis



**Item No.: 788-116**

Șunt; pentru slot șunt; 6 căi; izolat; gri deschis



**Item No.: 788-117**

Șunt; pentru slot șunt; 8 căi; izolat; gri deschis

### 1.1.5 Marking

#### 1.1.5.1 Double marker carrier



**Item No.: 209-128**

Adaptor; gri

#### 1.1.5.2 Group marker carrier



**Item No.: 209-145**

Suport marker grup; alb



**Item No.: 249-105**

Suport marker grup; gri

#### 1.1.5.3 Marker



**Item No.: 793-501**

Card de marcare WMB; sub formă de card; fără posibilitate de extindere; simplu; tip cu clipsare; alb



**Item No.: 793-502**

Card de marcare WMB; sub formă de card; MARCAT; 1 ... 10 (10x); fără posibilitate de extindere; Marcare orizontală; tip cu clipsare; alb



**Item No.: 793-503**

Card de marcare WMB; sub formă de card; MARCAT; 11 ... 20 (10x); fără posibilitate de extindere; Marcare orizontală; tip cu clipsare; alb



**Item No.: 793-504**

Card de marcare WMB; sub formă de card; MARCAT; 21 ... 30 (10x); fără posibilitate de extindere; Marcare orizontală; tip cu clipsare; alb



**Item No.: 793-505**

Card de marcare WMB; sub formă de card; MARCAT; 31 ... 40 (10x); fără posibilitate de extindere; Marcare orizontală; tip cu clipsare; alb



**Item No.: 209-183**

Card marker; alb



**Item No.: 2009-115**

WMB-Inline; pentru Smart Printer; 1500 bucăți pe rolă; posibilitate de extindere 5 - 5,2 mm; simplu; tip cu clipsare; alb

#### 1.1.5.4 Marking device



**Item No.: 210-110**

Stilou cu vârf din fibre

#### 1.1.5.5 Marking strip



**Item No.: 2009-110**

Benzi de marcaj; pentru Smart Printer; pe bobină; fără posibilitate de extindere; simplu; tip cu clipsare; alb

### 1.1.5.6 Protective marker cover



Item No.: 209-184

Capac de protecție; transparent

### 1.1.6 Tool

#### 1.1.6.1 Operating tool

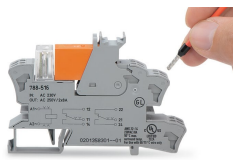


Item No.: 210-720

Unealtă de operare; Lamă: 3,5 x 0,5 mm; cu mâner izolat parțial; multicolor

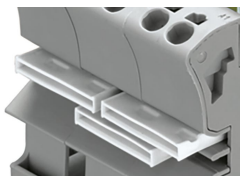
## Installation Notes

### Conductor termination



Conductor termination

### Commoning



Easy commoning using adjacent jumpers

### Marking



Marking using WMB Multi markers and group marker carriers.