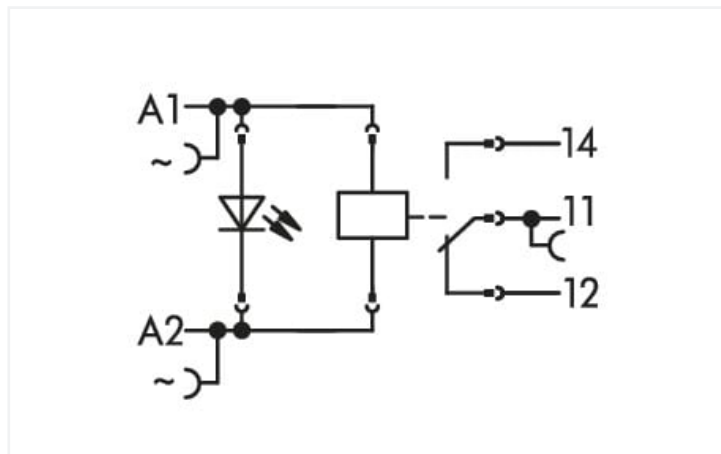
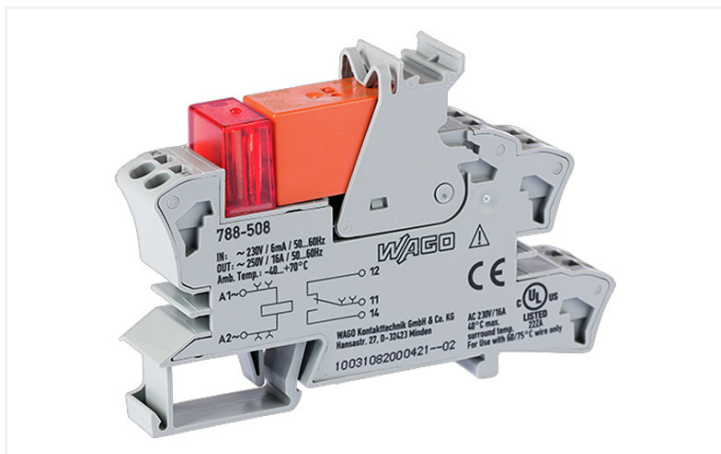


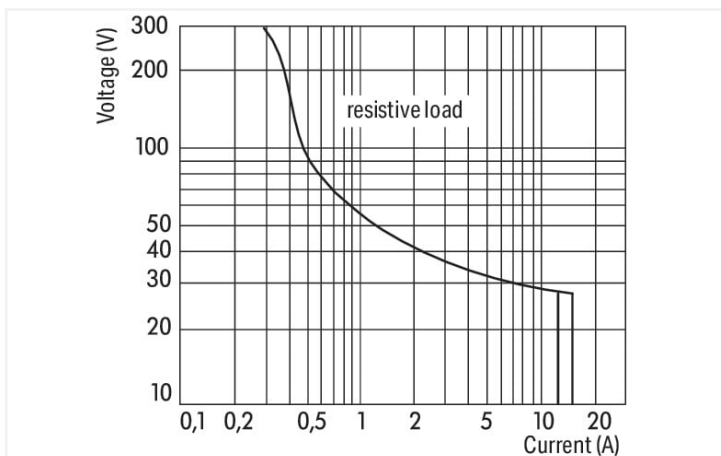
Data Sheet | Item Number: 788-508

Modul releu; Tensiune de intrare nominală: 230 V c.a.; 1 contact inversor; Intensitate continuă limită: 16 A; Indicator de stare roșu; Lățime modul: 15 mm; 2,50 mm²; gri

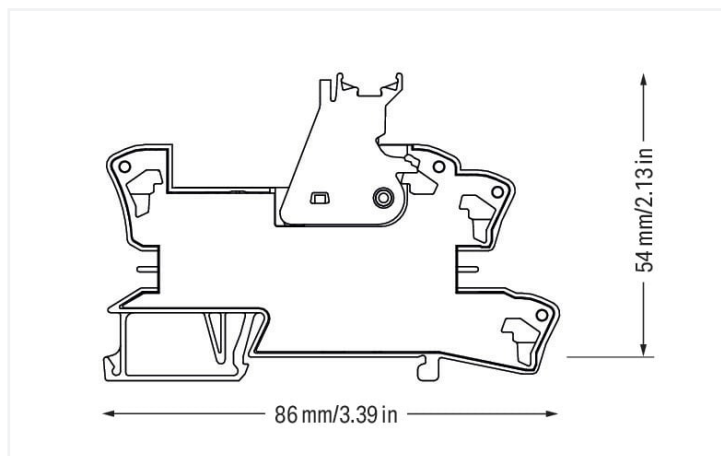
<https://www.wago.com/788-508>



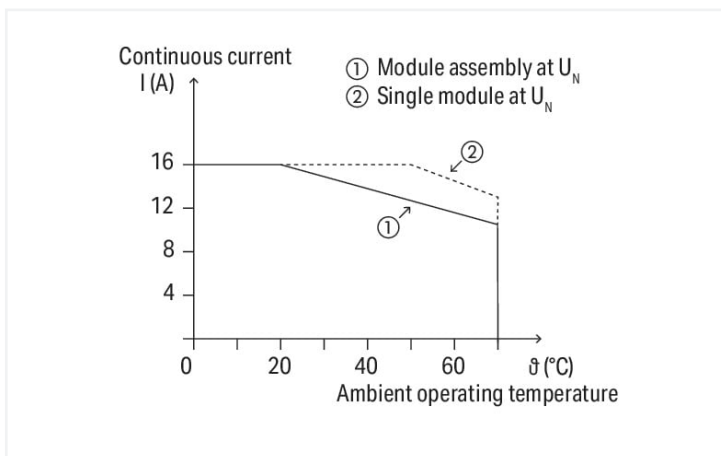
Color: ■ gri



DC load limit curve



Dimensions in mm



Current-carrying capacity curve

Notes

Safety information	A separator plate (e.g., 209-191) must be used for voltages greater than 250 V between adjacent relay modules and for compliance with the reinforced insulation requirements.
Note	<ul style="list-style-type: none"> Reinforced insulation between coil and contacts To protect the relay coils and contacts, inductive loads must be dampened with an effective protection circuit.

Technical data

Control circuit

Nominal input voltage U_N	AC 230 V
Input voltage range	$\pm 10\%$
Nominal input current at U_N	4 mA

Load circuit

Number of changeover/switchover contacts	1
Contact material (relay)	AgNi 90/10
Limiting continuous current	16 A
Inrush current (resistive) max.	(AC) 30 A / 4 s
Switching voltage (max.)	AC 250 V
Switching power (resistive) max.	AC 4000 VA; DC (see load limit curve)
Switching capacity	AC-15: 6 A / AC 250 V; DC-13: 2 A / DC 24 V
Recommended minimum load	12 V / 10 mA
Pull-in time (typ.)	10 ms
Drop-out time (typ.)	35 ms
Bounce time (typ.)	6 ms
Electrical life (NO; resistive load; 23 °C)	30×10^8 comutări
Mechanical life	5×10^8 comutări
Switching frequency with/without load (max.)	6 min^{-1} / 600 min^{-1}

Signaling

Status indicator	Red LED
------------------	---------

Safety and protection

Rated voltage	250 V
Rated surge voltage	4 kV
Pollution degree	3
Dielectric strength (control/load circuit) (AC, 1 min)	5 kVrms
Dielectric strength (open contact) (AC, 1 min)	1 kVrms
Safety information	A separator plate (e.g., 209-191) must be used for voltages greater than 250 V between adjacent relay modules and for compliance with the reinforced insulation requirements.
Protection type	IP20

Connection data

Connection technology	Push-in CAGE CLAMP®
Solid conductor	0,34 ... 2,5 mm ² / 22 ... 14 AWG
Fine-stranded conductor	0,34 ... 2,5 mm ² / 22 ... 14 AWG
Strip length	9 ... 10 mm / 0.35 ... 0.39 inci

Physical data

Width	15 mm / 0.591 inci
Height	86 mm / 3.386 inci
Depth from upper-edge of DIN-rail	54 mm / 2.126 inci

Mechanical data

Mounting type	DIN-35 rail
---------------	-------------

Material data

Color	gri
Fire load	0.85 MJ
Weight	46 g

Environmental requirements

Ambient temperature (operation at U_N)	-40 ... +70 °C
Ambient temperature UL (operation at U_N)	-40 ... +40 °C
Ambient temperature (storage)	-40 ... +70 °C
Processing temperature	-25 ... +50 °C
Temperature range of connection cable	$\geq (T_{\text{ambient}} + 20 \text{ K})$

Standards and specifications

Standards/specifications	EN 61010-2-201 EN 61810-1 EN 61373 UL 508 (max. 40 °C) DNV
--------------------------	--

Basic relay

WAGO Basic Relay	788-178
------------------	---------

Commercial data

Product Group	6 (INTERFACE ELECTRONIC)
eCl@ss 10.0	27-37-16-01
eCl@ss 9.0	27-37-16-01
ETIM 8.0	EC001437
ETIM 7.0	EC001437
PU (SPU)	20 (1) Buc.
Packaging type	Box
Country of origin	CN
GTIN	4055143192347
Customs tariff number	85364900990

Environmental Product Compliance

RoHS Compliance Status	Compliant,With Exemption
RoHS Exemption	7(a)

Approvals / Certificates

General approvals **Declarations of conformity and manufacturer's declarations**



Approval	Standard	Certificate Name
EAC Brjansker Zertifizierungs- stelle	TP TC 004/2011	EAC RU C-DE.AM02. B.00122/19

Approval	Standard	Certificate Name
EU-Declaration of Confor- mity WAGO GmbH & Co. KG	-	-
UK-Declaration of Confor- mity WAGO GmbH & Co. KG	-	-

Approvals for marine applications



Approval	Standard	Certificate Name
DNV DNV Germany GmbH	DNV-CG-0339,Aug.2021	TAA00001D1
PRS Polski Rejestr Statków	-	TE/2186/880590/18

Downloads

Documentation

Bid Text			
788-508	19.02.2019	xml 4.61 KB	↓
788-508	25.01.2019	docx 16.52 KB	↓

Instruction Leaflet			
Sockets with Elementa- ry Relay/ SSR	V 1.0.1 09.10.2020	pdf 2271.22 KB	↓

CAD/CAE-Data

CAD data
2D/3D Models 788-508 ↓

CAE data
EPLAN Data Portal 788-508 ↓
WSCAD Universe 788-508 ↓
ZUKEN Portal 788-508 ↓

1 Compatible Products

1.1 Optional Accessories

1.1.1 Basic relay

1.1.1.1 Basic relay



Item No.: 788-178

Releu de bază; Tensiune de intrare nominală: 230 V c.a.; 1 contact inversor; Intensitate continuă limită: 16 A; Lățime modul: 13 mm; Înălțime modul: 15 mm

1.1.2 Ferrule

1.1.2.1 Ferrule



Item No.: 216-542

Manșon de capăt dublu; Manșon pentru 2 x 1 mm² / AWG 2 x 18; roșu, izolat; 12 mm lungime; roșu



Item No.: 216-241

Manșon de capăt; Manșon pentru 0,5 mm² / 20 AWG; izolat; galvanizat cu cositor; cupru electrolitic; sertizat etanș la gaz; conform DIN 46228, partea 4/09.90; alb



Item No.: 216-242

Manșon de capăt; Manșon pentru 0,75 mm² / 18 AWG; izolat; galvanizat cu cositor; cupru electrolitic; sertizat etanș la gaz; conform DIN 46228, partea 4/09.90; gri



Item No.: 216-243

Manșon de capăt; Manșon pentru 1 mm² / AWG 18; izolat; galvanizat cu cositor; cupru electrolitic; sertizat etanș la gaz; conform DIN 46228, partea 4/09.90; roșu



Item No.: 216-244

Manșon de capăt; Manșon pentru 1,5 mm² / AWG 16; izolat; galvanizat cu cositor; cupru electrolitic; sertizat etanș la gaz; conform DIN 46228, partea 4/09.90; negru

1.1.3 Filter module

1.1.3.1 Suppressor module



Item No.: 788-148

Modul filtru; Element filtru RC; Tensiune nominală: 230 V c.a.

1.1.4 Indicators

1.1.4.1 Status indication



Item No.: 788-125

Accesorii pentru module releu; Indicator de stare de operare: roșu

1.1.5 Jumper

1.1.5.1 Jumper



Item No.: 788-118

Șunt; pentru slot șunt; 2 căi; de la 1 la 3; izolat; gri deschis



Item No.: 788-113

Șunt; pentru slot șunt; 2 căi; izolat; gri deschis



Item No.: 859-402

Șunt; pentru slot șunt; 2 căi; izolat; gri deschis



Item No.: 788-114

Șunt; pentru slot șunt; 3 căi; izolat; gri deschis



Item No.: 788-115

Șunt; pentru slot șunt; 4 căi; izolat; gri deschis



Item No.: 788-116

Șunt; pentru slot șunt; 6 căi; izolat; gri deschis



Item No.: 788-117

Șunt; pentru slot șunt; 8 căi; izolat; gri deschis

1.1.6 Marking

1.1.6.1 Double marker carrier



Item No.: 209-128

Adaptor; gri

1.1.6.2 Group marker carrier



Item No.: 209-145

Support marker grup; alb



Item No.: 249-105

Support marker grup; gri

1.1.6.3 Marker



Item No.: 793-501

Card de marcare WMB; sub formă de card; fără posibilitate de extindere; simplu; tip cu clipsare; alb



Item No.: 793-502

Card de marcare WMB; sub formă de card; MARCAT; 1 ... 10 (10x); fără posibilitate de extindere; Marcare orizontală; tip cu clipsare; alb



Item No.: 793-503

Card de marcare WMB; sub formă de card; MARCAT; 11 ... 20 (10x); fără posibilitate de extindere; Marcare orizontală; tip cu clipsare; alb



Item No.: 793-504

Card de marcare WMB; sub formă de card; MARCAT; 21 ... 30 (10x); fără posibilitate de extindere; Marcare orizontală; tip cu clipsare; alb



Item No.: 793-505

Card de marcare WMB; sub formă de card; MARCAT; 31 ... 40 (10x); fără posibilitate de extindere; Marcare orizontală; tip cu clipsare; alb



Item No.: 209-183

Card marker; alb



Item No.: 2009-115

WMB-Inline; pentru Smart Printer; 1500 bucăți pe rolă; posibilitate de extindere 5 - 5,2 mm; simplu; tip cu clipsare; alb

1.1.6.4 Marking device



Item No.: 210-110

Stilou cu vârf din fibre

1.1.6.5 Marking strip



Item No.: 2009-110

Benzi de marcaj; pentru Smart Printer; pe bobină; fără posibilitate de extindere; simplu; tip cu clipsare; alb

1.1.6.6 Protective marker cover



Item No.: 209-184

Capac de protecție; transparent

1.1.7 Tool

1.1.7.1 Operating tool

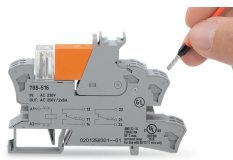


Item No.: 210-720

Unealtă de operare; Lamă: 3,5 x 0,5 mm; cu mâner izolat parțial; multicolor

Installation Notes

Conductor termination



Conductor termination

Commoning



Easy commoning using adjacent jumpers

Marking



Marking using WMB Multi markers and group marker carriers.