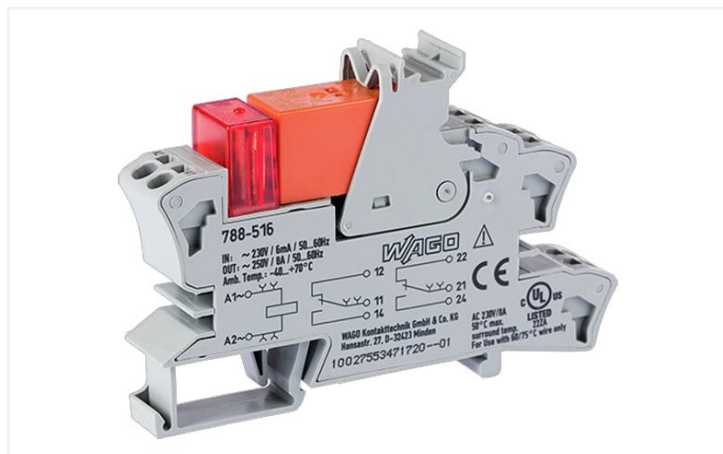


# Data Sheet | Item Number: 788-516

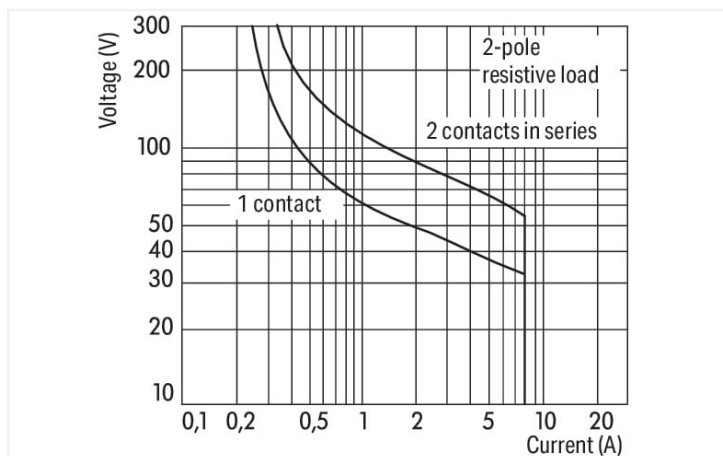
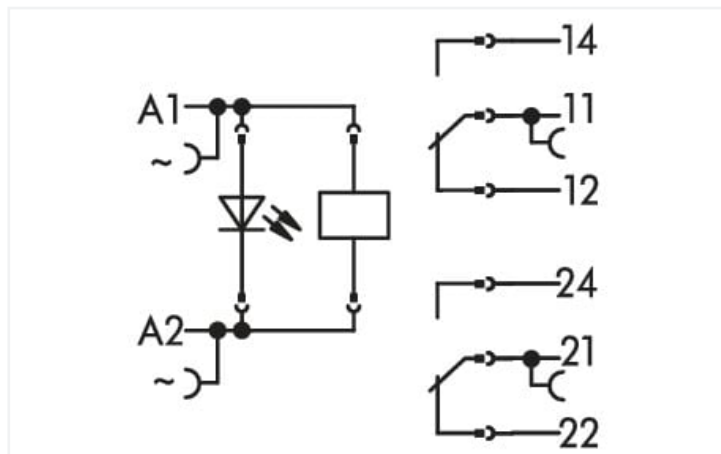
Modul releu; Tensiune de intrare nominală: 230 V c.a.; 2 contacte basculante; Intensitate continuă limită: 8 A; Indicator de stare roșu; Lățime modul: 15 mm; 2,50 mm<sup>2</sup>; gri



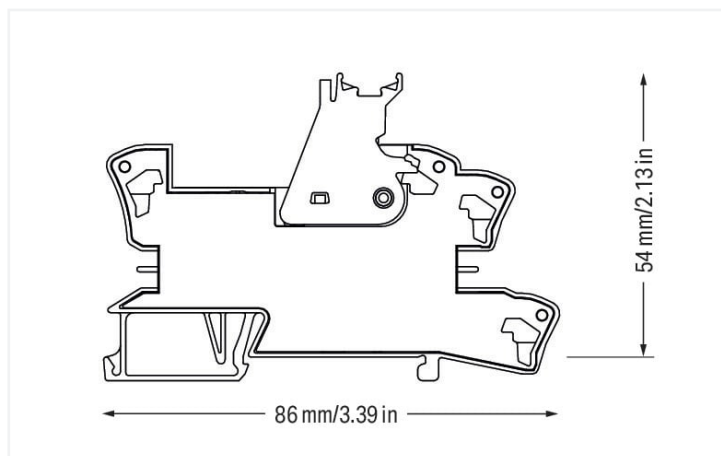
<https://www.wago.com/788-516>



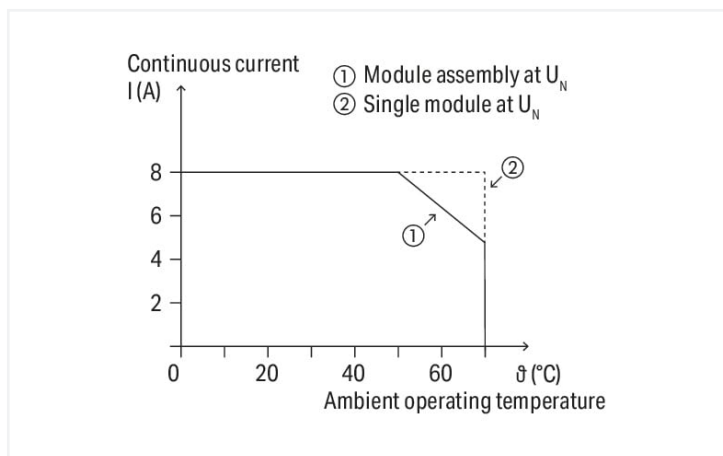
Color: ■ gri



DC load limit curve



Dimensions in mm



Current-carrying capacity curve

## Notes

Safety information	A separator plate (e.g., 209-191) must be used for voltages greater than 250 V between adjacent relay modules and for compliance with the reinforced insulation requirements.
Note	<ul style="list-style-type: none"> <li>Reinforced insulation between coil and contacts</li> <li>To protect the relay coils and contacts, inductive loads must be dampened with an effective protection circuit.</li> </ul>

## Technical data

Control circuit		Load circuit	
Nominal input voltage $U_N$	AC 230 V	Number of changeover/switchover contacts	2
Input voltage range	$\pm 10\%$	Contact material (relay)	AgNi 90/10
Nominal input current at $U_N$	4 mA	Limiting continuous current	8 A
		Inrush current (resistive) max.	(AC) 15 A / 4 s
		Switching voltage (max.)	AC 250 V
		Switching power (resistive) max.	AC 2000 VA; DC (see load limit curve)
		Switching capacity	AC-15: 3 A / AC 250 V; DC-13: 2 A / DC 24 V
		Recommended minimum load	12 V / 10 mA
		Pull-in time (typ.)	10 ms
		Drop-out time (typ.)	35 ms
		Bounce time (typ.)	10 ms
		Electrical life (NO; resistive load; 23 °C)	$10 \times 10^3$ comutări
		Mechanical life	$30 \times 10^6$ comutări
		Switching frequency with/without load (max.)	$6 \text{ min}^{-1}$ / $1200 \text{ min}^{-1}$

## Signaling

Status indicator	Red LED
------------------	---------

## Safety and protection

Rated voltage	250 V
Rated surge voltage	4 kV
Pollution degree	3
Dielectric strength (control/load circuit) (AC, 1 min)	5 kVrms
Dielectric strength (open contact) (AC, 1 min)	1 kVrms
Dielectric strength (load/load circuit) (AC, 1 min)	2,5 kVrms
Safety information	A separator plate (e.g., 209-191) must be used for voltages greater than 250 V between adjacent relay modules and for compliance with the reinforced insulation requirements.
Protection type	IP20

## Connection data

Connection technology	Push-in CAGE CLAMP®
Solid conductor	0,34 ... 2,5 mm <sup>2</sup> / 22 ... 14 AWG
Fine-stranded conductor	0,34 ... 2,5 mm <sup>2</sup> / 22 ... 14 AWG
Strip length	9 ... 10 mm / 0.35 ... 0.39 inci

### Physical data

Width	15 mm / 0.591 inci
Height	86 mm / 3.386 inci
Depth from upper-edge of DIN-rail	54 mm / 2.126 inci

### Mechanical data

Mounting type	DIN-35 rail
---------------	-------------

### Material data

Color	gri
Fire load	0.846 MJ
Weight	45.7 g

### Environmental requirements

Ambient temperature (operation at $U_N$ )	-40 ... +70 °C
Ambient temperature UL (operation at $U_N$ )	-40 ... +50 °C
Ambient temperature (storage)	-40 ... +70 °C
Processing temperature	-25 ... +50 °C
Temperature range of connection cable	$\geq (T_{\text{ambient}} + 20 \text{ K})$

### Standards and specifications

Standards/specifications	EN 61010-2-201 EN 61810-1 EN 61373 UL 508 DNV
--------------------------	---

### Basic relay

WAGO Basic Relay	788-180
------------------	---------

### Commercial data

Product Group	6 (INTERFACE ELECTRONIC)
eCl@ss 10.0	27-37-16-01
eCl@ss 9.0	27-37-16-01
ETIM 8.0	EC001437
ETIM 7.0	EC001437
PU (SPU)	20 (1) Buc.
Packaging type	Box
Country of origin	CN
GTIN	4055143192378
Customs tariff number	85364900990

## Environmental Product Compliance

CAS-No.	7439-92-1 79-94-7 80-05-7
REACH Candidate List Substance	2,2',6,6'-tetrabromo-4,4'-isopropylidenediphenol 4,4'-isopropylidenediphenol Lead
RoHS Compliance Status	Compliant,With Exemption
RoHS Exemption	7(a)
SCIP notification number (Austria)	b0e534fc-6e2a-476f-af3a-adc4f5ad784e
SCIP notification number (Belgium)	f5fb74a2-c3b0-40c0-98da-03976d135990
SCIP notification number (Bulgaria)	19a69d1f-1eac-4af1-a82f-60b7cd39e307
SCIP notification number (Czech Republic)	e9ac98ec-36be-424b-bf0a-c385a9fb437c
SCIP notification number (Denmark)	97398917-a0b9-438b-a009-ec705113136d
SCIP notification number (Finland)	6d5f6774-30bf-43ed-a808-bbc48db312c5
SCIP notification number (France)	33f68cdd-e88a-4b75-9ddb-b9542e5e979b
SCIP notification number (Germany)	e244a908-f765-40c7-b634-d9738f4d9568
SCIP notification number (Hungary)	62cbd900-173a-420f-aa49-b0385499542a
SCIP notification number (Italy)	30a343f2-20a6-4847-a57e-6c4f35c2ab5b
SCIP notification number (Netherlands)	a241131d-fb8e-47da-99b3-176d01cbd59d
SCIP notification number (Poland)	18110e8e-0396-4ae3-9bcd-6399915f98d2
SCIP notification number (Romania)	4c1827a3-594e-47e5-93c0-87c8cd85c0df
SCIP notification number (Sweden)	a63b4428-d34d-484d-b9de-d06779aecb17

## Approvals / Certificates

### General approvals



Approval	Standard	Certificate Name
EAC Brjansker Zertifizierungs- stelle	TP TC 004/2011	EAC RU C-DE.AM02. B.00122/19

### Declarations of conformity and manufacturer's declarations

Approval	Standard	Certificate Name
EU-Declaration of Confor- mity WAGO GmbH & Co. KG	-	-
UK-Declaration of Confor- mity WAGO GmbH & Co. KG	-	-

### Approvals for marine applications



Approval	Standard	Certificate Name
DNV DNV Germany GmbH	DNV-CG-0339, Aug. 2021	TAA00001D1
PRS Polski Rejestr Statków	-	TE/2186/880590/18

## Downloads

### Documentation

Bid Text			
788-516	19.02.2019	xml 4.60 KB	<a href="#">↓</a>
788-516	25.01.2019	docx 16.43 KB	<a href="#">↓</a>

Instruction Leaflet			
Sockets with Elementary Relay/ SSR	V 1.0.1 09.10.2020	pdf 2271.22 KB	<a href="#">↓</a>

CAD/CAE-Data	
<b>CAD data</b>	<b>CAE data</b>
2D/3D Models 788-516 <a href="#">↓</a>	EPLAN Data Portal 788-516 <a href="#">↓</a>
	WSCAD Universe 788-516 <a href="#">↓</a>
	ZUKEN Portal 788-516 <a href="#">↓</a>

## 1 Compatible Products

### 1.1 Optional Accessories

#### 1.1.1 Basic relay

##### 1.1.1.1 Basic relay



**Item No.: 788-180**

Releu de bază; Tensiune de intrare nominală: 230 V c.a.; 2 contacte basculante; Intensitate continuă limită: 8 A; Lățime modul: 13 mm; Înălțime modul: 15 mm

#### 1.1.2 Ferrule

##### 1.1.2.1 Ferrule



**Item No.: 216-542**

Manșon de capăt dublu; Manșon pentru 2 x 1 mm<sup>2</sup> / AWG 2 x 18; roșu, izolat; 12 mm lungime; roșu



**Item No.: 216-241**

Manșon de capăt; Manșon pentru 0,5 mm<sup>2</sup> / 20 AWG; izolat; galvanizat cu cositor; cupru electrolitic; sertizat etanș la gaz; conform DIN 46228, partea 4/09.90; alb



**Item No.: 216-242**

Manșon de capăt; Manșon pentru 0,75 mm<sup>2</sup> / 18 AWG; izolat; galvanizat cu cositor; cupru electrolitic; sertizat etanș la gaz; conform DIN 46228, partea 4/09.90; gri



**Item No.: 216-243**

Manșon de capăt; Manșon pentru 1 mm<sup>2</sup> / AWG 18; izolat; galvanizat cu cositor; cupru electrolitic; sertizat etanș la gaz; conform DIN 46228, partea 4/09.90; roșu



**Item No.: 216-244**

Manșon de capăt; Manșon pentru 1,5 mm<sup>2</sup> / AWG 16; izolat; galvanizat cu cositor; cupru electrolitic; sertizat etanș la gaz; conform DIN 46228, partea 4/09.90; negru

#### 1.1.3 Filter module

### 1.1.3.1 Suppressor module



**Item No.: 788-148**

Modul filtru; Element filtru RC; Tensiune nominală: 230 V c.a.

### 1.1.4 Indicators

#### 1.1.4.1 Status indication



**Item No.: 788-125**

Accesorii pentru module releu; Indicator de stare de operare: roșu

### 1.1.5 Jumper

#### 1.1.5.1 Jumper



**Item No.: 788-118**

Șunt; pentru slot șunt; 2 căi; de la 1 la 3; izolat; gri deschis



**Item No.: 788-113**

Șunt; pentru slot șunt; 2 căi; izolat; gri deschis



**Item No.: 859-402**

Șunt; pentru slot șunt; 2 căi; izolat; gri deschis



**Item No.: 788-114**

Șunt; pentru slot șunt; 3 căi; izolat; gri deschis



**Item No.: 788-115**

Șunt; pentru slot șunt; 4 căi; izolat; gri deschis



**Item No.: 788-116**

Șunt; pentru slot șunt; 6 căi; izolat; gri deschis



**Item No.: 788-117**

Șunt; pentru slot șunt; 8 căi; izolat; gri deschis

### 1.1.6 Marking

#### 1.1.6.1 Double marker carrier



**Item No.: 209-128**

Adaptor; gri

#### 1.1.6.2 Group marker carrier



**Item No.: 209-145**

Suport marker grup; alb



**Item No.: 249-105**

Suport marker grup; gri

#### 1.1.6.3 Marker



**Item No.: 793-501**

Card de marcare WMB; sub formă de card; fără posibilitate de extindere; simplu; tip cu clipsare; alb



**Item No.: 793-502**

Card de marcare WMB; sub formă de card; MARCAT; 1 ... 10 (10x); fără posibilitate de extindere; Marcare orizontală; tip cu clipsare; alb



**Item No.: 793-503**

Card de marcare WMB; sub formă de card; MARCAT; 11 ... 20 (10x); fără posibilitate de extindere; Marcare orizontală; tip cu clipsare; alb



**Item No.: 793-504**

Card de marcare WMB; sub formă de card; MARCAT; 21 ... 30 (10x); fără posibilitate de extindere; Marcare orizontală; tip cu clipsare; alb

### 1.1.6.3 Marker



**Item No.: 793-505**

Card de marcare WMB; sub formă de card; MARCAT; 31 ... 40 (10x); fără posibilitate de extindere; Marcare orizontală; tip cu clipsare; alb

**Item No.: 209-183**

Card marker; alb

**Item No.: 2009-115**

WMB-Inline; pentru Smart Printer; 1500 bucăți pe rolă; posibilitate de extindere 5 - 5,2 mm; simplu; tip cu clipsare; alb

### 1.1.6.4 Marking device



**Item No.: 210-110**

Stilou cu vârf din fibre

### 1.1.6.5 Marking strip



**Item No.: 2009-110**

Benzi de marcaj; pentru Smart Printer; pe bobină; fără posibilitate de extindere; simplu; tip cu clipsare; alb

### 1.1.6.6 Protective marker cover



**Item No.: 209-184**

Capac de protecție; transparent

## 1.1.7 Tool

### 1.1.7.1 Operating tool

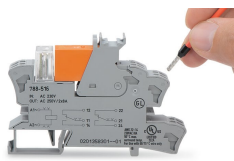


**Item No.: 210-720**

Unealtă de operare; Lamă: 3,5 x 0,5 mm; cu mâner izolat parțial; multicolor

## Installation Notes

### Conductor termination



Conductor termination

## Commoning



Easy commoning using adjacent jumpers

## Marking



Marking using WMB Multi markers and group marker carriers.