

## Emparro Power Supply 3-PHASE

IN: 360 - 500VAC OUT: 24-28V/40ADC

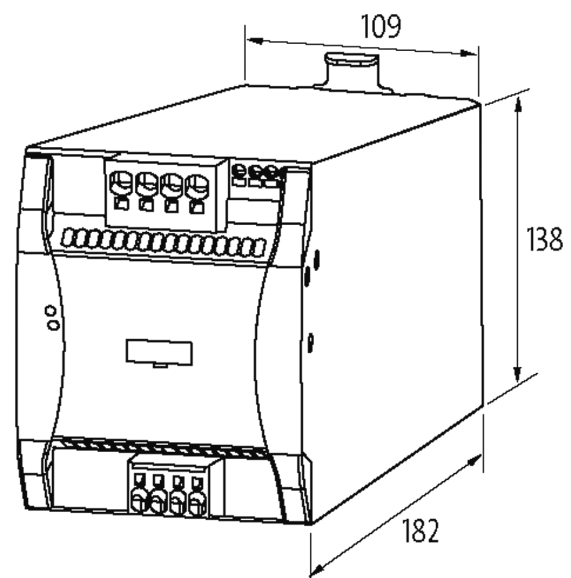
INPUT: 3× 324...572 V AC / 480...745 V DC

OUTPUT: 24...28 V DC

Current: 40 A

### [Link to Product](#)

#### Illustration



Product may differ from Image

#### Approvals



### Input

|                           |  |
|---------------------------|--|
| Input voltage             | 3× 324...572 V AC/480...745 V DC         |
| Input current             | 2.3 A (3× 360 V AC); 1.6 A (3× 500 V AC) |
| Inrush current after 1 ms | max. 14 A (3× 500 V AC)                  |
| Power factor              | 0.88 (3× 500 V AC)                       |
| Frequency                 | 50...60 Hz                               |
| Input fuse (internal)     | 3× 6.3 A (T)                             |

### General data

|                   |   |
|-------------------|---|
| Standards         | EN 60950-1, EN 61204-3, EN 55011 B, EN 61000-3-2, SEMI F47          |
| Relative humidity | 5...95%, no condensation  |
| Protection        | IP20  |
| Efficiency        | 93.7% (3× 400 V AC); 93.5% (3× 480 V AC)                            |
| Connection        | Push-In spring clamp terminals                                      |
| Mounting method   | DIN-rail mountable TH35 (EN 60715)                                  |
| Dimensions H×W×D  | 138×109×182 mm  |
| Temperature range | -40...+70 °C, ...+70 °C derating (storage temperature -40...+85 °C) |

### Output

|                             |   |
|-----------------------------|---|
| Output voltage              | 24 V DC (SELV), ±1%; 24...28 V adjustable                           |
| Power Boost                 | I <sub>out</sub> N × 150% (min. 5 s)                                |
| Output current              | 30 A (70 °C); 40 A (60 °C); 48 A (45 °C)                            |
| Mains failure bridging time | min. 40 ms (3× 500 V AC)  |
| Ripple                      | max. 20 mV eff/rms  |
| Spikes                      | max. 90 mV ss/pp  |
| Unit protection             | short-circuit and overload protected, permanently by 20% (to 45 °C) |
| LED display                 | LED (green): OK; LED (red): overload, overheating or short-circuit  |
| Parallel usage/serial usage | max. 3 units  |

### Commercial data

|                       |               |
|-----------------------|---------------|
| country of origin     | CZ            |
| customs tariff number | 85044090      |
| EAN                   | 4048879538657 |
| eClass                | 27049002      |
| Packaging unit        | 1             |