

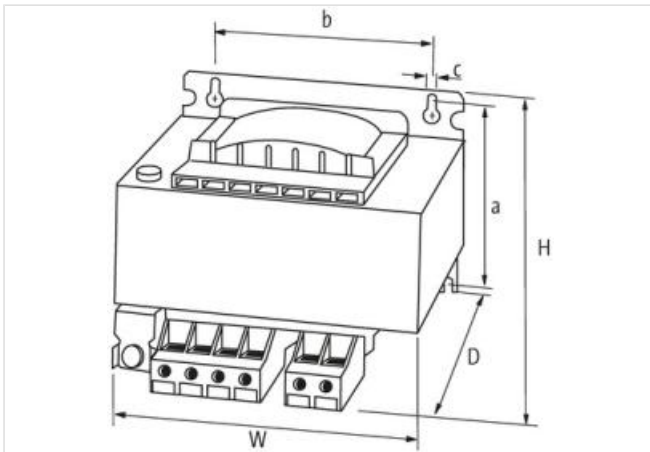
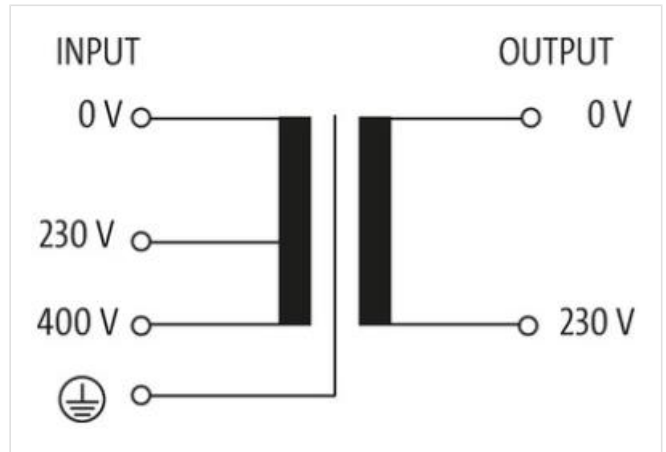
**MST 1-PHASE CONTROL AND ISOLATION TRANSFORMER**

P: 630VA IN: 230/400VAC OUT: 230VAC

Single-phase - Control and Isolation Transformers  
 630 VA  
 Isolation class T 40/B  
 Other voltages on request.

[Link to Product](#)

**Illustration**



Product may differ from Image



**Commercial data**

ECLASS-6.0	27031302
ECLASS-6.1	27031302
ECLASS-7.0	27031302
ECLASS-8.0	27031302
ECLASS-9.0	27031302
ECLASS-10.1	27031302

ECLASS-11.1	27031302
ECLASS-12.0	27031302
ETIM-5.0	EC002486
customs tariff number	85043180
GTIN	4048879078641
Packaging unit	1

**Electrical data | Supply**

Power frequency	50 ... 60 Hz
-----------------	--------------

**Electrical data | Input**

Input voltage 1 AC	230 V
Input voltage 2 AC	400 V
Current input at input voltage 1	2,95 A
Current input at input voltage 2	1,7 A
Inrush current at input voltage 1	37 A
Inrush current at input voltage 2	21 A
Short-circuit current at input voltage 1	77 A
Short-circuit current at input voltage 2	44 A

**Electrical data | Output**

Output voltage AC	230 V
Output voltage adjustable	no
Power rating AC max.	630 VA

**Device protection | Electrical**

Insulation test voltage input - output	4 kV
--	------

**Mechanical data | Mounting data**

Suitable for mounting type	Schlüssellochaufhängung
Mounting dimension a	90,6 mm
Mounting dimension b	122 mm
Mounting dimension c	7 mm
Height	112,5 mm
Width	150 mm
Depth	144,6 mm
Diameter bore	7 mm
Length bore	11 mm

**Environmental characteristics | Climatic**

Operating temperature min.	-20 °C
Operating temperature max.	40 °C
Storage temperature min.	-40 °C
Storage temperature max.	80 °C

**Conformities, approvals, certificates**

Product standard	EN 61558-1, EN 61558-2-4, EN 62041 category 0
------------------	---

**Connection type 3**

Connection type 1	Input
Connection type 2	Output
Connection	Screw terminals SK
Family construction form	terminal
Gender	female
No. of poles	3
Connection	Screw terminals SK
Family construction form	terminal
Gender	female
No. of poles	2

Connection	Screw terminals SK
Family construction form	terminal
Gender	female
Color contact carrier	metallic
No. of poles	1