

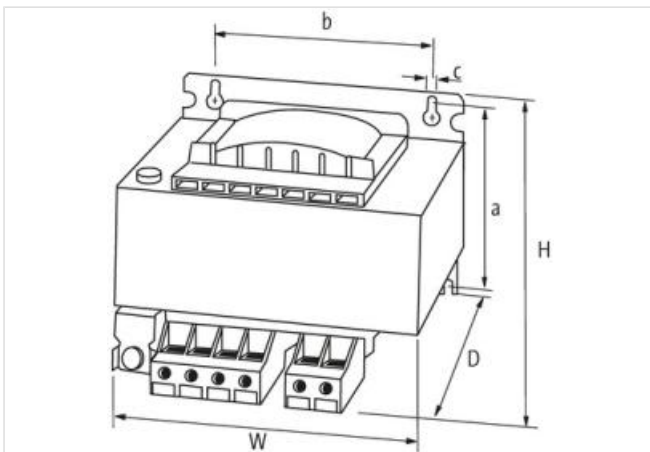
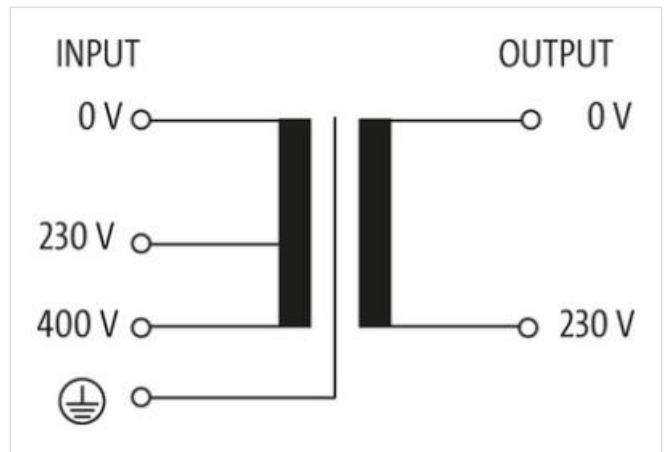
MST 1-PHASE CONTROL AND ISOLATION TRANSFORMER

P: 800VA IN: 230/400VAC OUT: 230VAC

Single-phase - Control and Isolation Transformers
800 VA
Isolation class T 40/B
Other voltages on request.

[Link to Product](#)

Illustration



Product may differ from Image



Commercial data

ECLASS-6.0	27031302
ECLASS-6.1	27031302
ECLASS-7.0	27031302
ECLASS-8.0	27031302
ECLASS-9.0	27031302
ECLASS-10.1	27031302

ECLASS-11.1	27031302
ECLASS-12.0	27031302
ETIM-5.0	EC002486
customs tariff number	85043180
GTIN	4048879078634
Packaging unit	1

Electrical data | Supply

Power frequency	50 ... 60 Hz
-----------------	--------------

Electrical data | Input

Input voltage 2 AC	230 V
Input voltage 3 AC	400 V
Voltage input AC	110 V
Current input at input voltage 2	3,5 A
Current input at input voltage 3	2 A
Inrush current at input voltage 2	50 A
Inrush current at input voltage 3	29 A
Short-circuit current	219 A

Electrical data | Output

Output voltage AC	230 V
Output voltage adjustable	no
Power rating AC max.	800 VA

Device protection | Electrical

Insulation test voltage input - output	4 kV
--	------

Mechanical data | Mounting data

Suitable for mounting type	Schlüssellochaufhängung
Mounting dimension a	107,5 mm
Mounting dimension b	122 mm
Mounting dimension c	7 mm
Height	129,4 mm
Width	150 mm
Depth	144,6 mm
Diameter bore	7 mm
Length bore	11 mm

Environmental characteristics | Climatic

Operating temperature min.	-20 °C
Operating temperature max.	40 °C
Storage temperature min.	-40 °C
Storage temperature max.	80 °C

Conformities, approvals, certificates

Product standard	EN 61558-1, EN 61558-2-4, EN 62041 category 0
------------------	---

Connection type 3

Connection type 1	Input
Connection type 2	Output
Connection	Screw terminals SK
Family construction form	terminal
Gender	female
No. of poles	3
Connection	Screw terminals SK
Family construction form	terminal
Gender	female
No. of poles	2

Connection	Screw terminals SK
Family construction form	terminal
Gender	female
Color contact carrier	metallic
No. of poles	1