

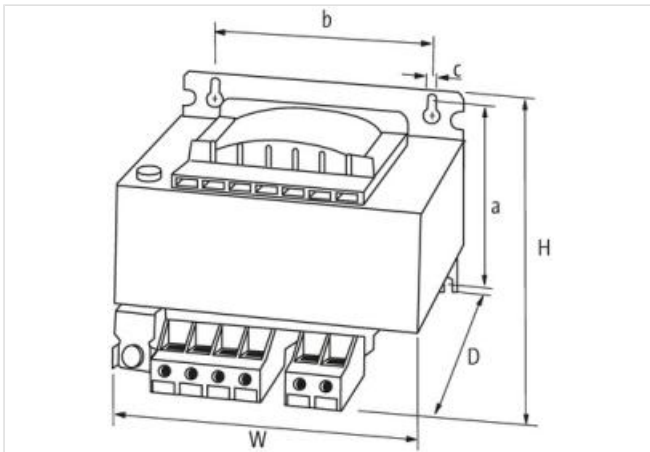
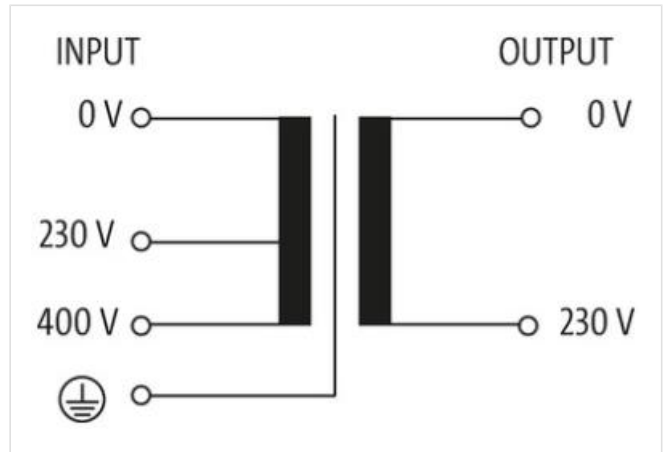
MST 1-PHASE CONTROL AND ISOLATION TRANSFORMER

P: 1000VA IN: 230/400VAC OUT: 230VAC

Single-phase - Control and Isolation Transformers
 1000 VA
 Isolation class T 40/B
 Other voltages on request.

[Link to Product](#)

Illustration



Product may differ from Image



Commercial data

ECLASS-6.0	27031302
ECLASS-6.1	27031302
ECLASS-7.0	27031302
ECLASS-8.0	27031302
ECLASS-9.0	27031302
ECLASS-10.1	27031302

ECLASS-11.1	27031302
ECLASS-12.0	27031302
ETIM-5.0	EC002486
customs tariff number	85043180
GTIN	4048879078627
Packaging unit	1

Electrical data | Supply

Power frequency	50 ... 60 Hz
-----------------	--------------

Electrical data | Input

Input voltage 1 AC	230 V
Input voltage 2 AC	400 V
Current input at input voltage 1	4,73 A
Current input at input voltage 2	2,72 A
Inrush current at input voltage 1	66 A
Inrush current at input voltage 2	38 A
Short-circuit current at input voltage 1	148 A
Short-circuit current at input voltage 2	85 A

Electrical data | Output

Output voltage AC	230 V
Output voltage adjustable	no
Power rating AC max.	1000 VA

Device protection | Electrical

Insulation test voltage input - output	4 kV
--	------

Mechanical data | Mounting data

Suitable for mounting type	Schlüssellochauhängung
Mounting dimension a	102 mm
Mounting dimension b	135 mm
Mounting dimension c	7 mm
Height	128 mm
Width	174 mm
Depth	160 mm
Diameter bore	7 mm
Length bore	11 mm

Environmental characteristics | Climatic

Operating temperature min.	-20 °C
Operating temperature max.	40 °C
Storage temperature min.	-40 °C
Storage temperature max.	80 °C

Conformities, approvals, certificates

Product standard	EN 61558-1, EN 61558-2-4, EN 62041 category 0
------------------	---