

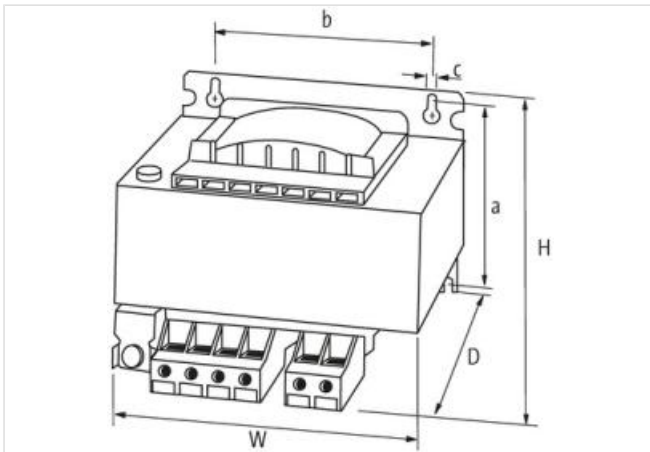
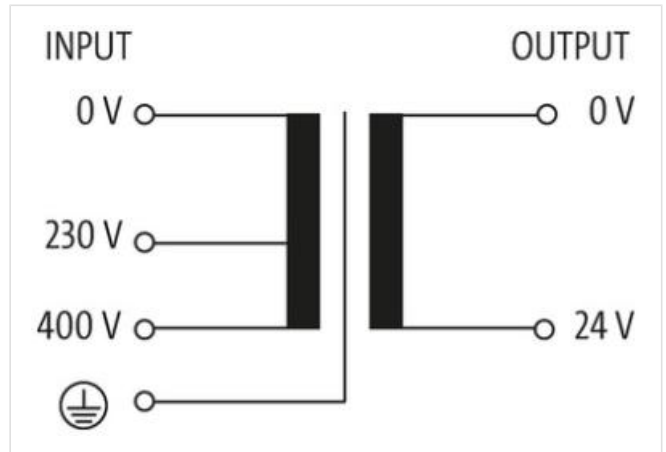
### MST 1-PHASE SAFETY TRANSFORMER

P: 1000VA IN: 230/400VAC OUT: 24VAC

Single-phase safety transformer  
 1000 VA  
 Isolation class T 40/B  
 Other voltages on request.

[Link to Product](#)

**Illustration**



Product may differ from Image



**Commercial data**

|             |          |
|-------------|----------|
| ECLASS-6.0  | 27031302 |
| ECLASS-6.1  | 27031302 |
| ECLASS-7.0  | 27031302 |
| ECLASS-8.0  | 27031302 |
| ECLASS-9.0  | 27031302 |
| ECLASS-10.1 | 27031302 |

|                       |               |
|-----------------------|---------------|
| ECLASS-11.1           | 27031302      |
| ECLASS-12.0           | 27031302      |
| ETIM-5.0              | EC002486      |
| customs tariff number | 85043180      |
| GTIN                  | 4048879078566 |
| Packaging unit        | 1             |

**Electrical data**

|                |      |
|----------------|------|
| Security level | SELV |
|----------------|------|

**Electrical data | Supply**

|                 |              |
|-----------------|--------------|
| Power frequency | 50 ... 60 Hz |
|-----------------|--------------|

**Electrical data | Input**

|  |        |
|--|--------|
| Input voltage 1 AC                       | 230 V  |
| Input voltage 2 AC                       | 400 V  |
| Current input at input voltage 1         | 4,73 A |
| Current input at input voltage 2         | 2,72 A |
| Inrush current at input voltage 1        | 66 A   |
| Inrush current at input voltage 2        | 38 A   |
| Short-circuit current at input voltage 1 | 148 A  |
| Short-circuit current at input voltage 2 | 85 A   |

**Electrical data | Output**

|                           |         |
|---------------------------|---------|
| Output voltage AC         | 24 V    |
| Output voltage adjustable | no      |
| Power rating AC max.      | 1000 VA |

**Device protection | Electrical**

|  |      |
|--|------|
| Insulation test voltage input - output | 4 kV |
|--|------|

**Mechanical data | Mounting data**

|                            |                        |
|----------------------------|------------------------|
| Suitable for mounting type | Schlüssellochauhängung |
| Mounting dimension a       | 102 mm                 |
| Mounting dimension b       | 135 mm                 |
| Mounting dimension c       | 7 mm                   |
| Height                     | 133,3 mm               |
| Width                      | 174 mm                 |
| Depth                      | 165 mm                 |
| Diameter bore              | 7 mm                   |
| Length bore                | 11 mm                  |

**Environmental characteristics | Climatic**

|                            |        |
|----------------------------|--------|
| Operating temperature min. | -20 °C |
| Operating temperature max. | 40 °C  |
| Storage temperature min.   | -40 °C |
| Storage temperature max.   | 80 °C  |

**Conformities, approvals, certificates**

|                  |   |
|------------------|---|
| Product standard | EN 61558-2-4, EN 61558-2-6, EN 62041 category 0 |
|------------------|---|

**Connection type 3**

|                          |                    |
|--------------------------|--------------------|
| Connection type 1        | Input              |
| Connection type 2        | Output             |
| Connection               | Screw terminals SK |
| Family construction form | terminal           |
| Gender                   | female             |
| No. of poles             | 3                  |
| Connection               | Screw terminals SK |
| Family construction form | terminal           |

|                          |                    |
|--------------------------|--------------------|
| Gender                   | female             |
| No. of poles             | 2                  |
| Connection               | Screw terminals SK |
| Family construction form | terminal           |
| Gender                   | female             |
| Color contact carrier    | metallic           |
| No. of poles             | 1                  |