

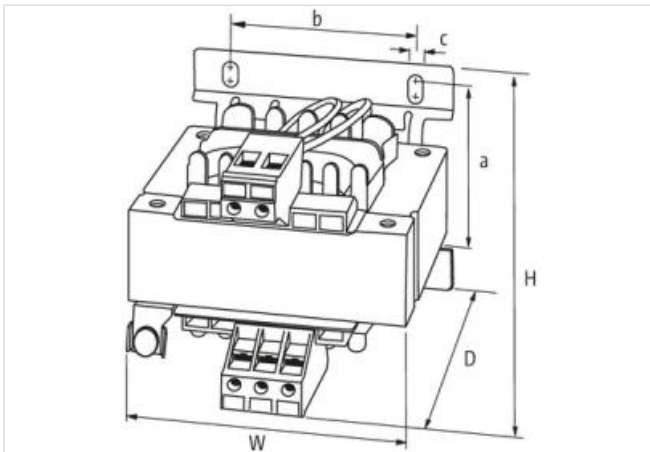
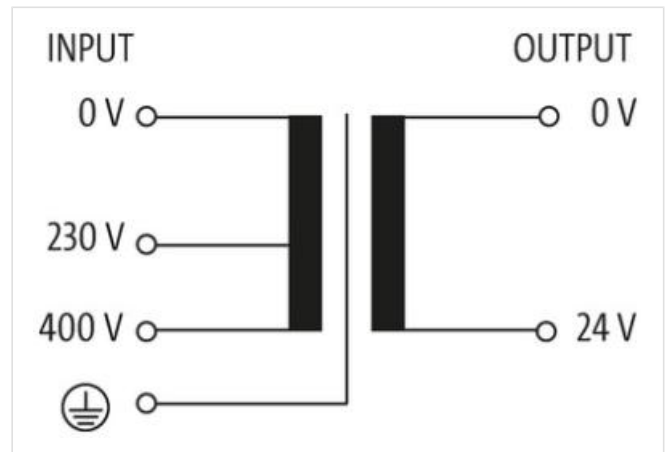
MTS 1-PHASE SAFETY TRANSFORMER

P: 63VA IN: 230/400VAC OUT: 24VAC

Single-phase safety transformer
63 VA
Isolation class T 40/B
Other voltages on request.

[Link to Product](#)

Illustration



Product may differ from Image



Commercial data

ECLASS-6.0	27031302
ECLASS-6.1	27031302
ECLASS-7.0	27031302
ECLASS-8.0	27031302
ECLASS-9.0	27031302
ECLASS-10.1	27031302

ECLASS-11.1	27031302
ECLASS-12.0	27031302
ETIM-5.0	EC002486
customs tariff number	85043180
GTIN	4048879078542
Packaging unit	1
Electrical data	
Security level	SELV
Electrical data Supply	
Power frequency	50 ... 60 Hz
Electrical data Input	
Input voltage 1 AC	230 V
Input voltage 2 AC	400 V
Current input at input voltage 1	0,35 A
Current input at input voltage 2	0,2 A
Inrush current at input voltage 1	2 A
Inrush current at input voltage 2	1,15 A
Short-circuit current at input voltage 1	2,95 A
Short-circuit current at input voltage 2	0,1 A
Electrical data Output	
Output voltage AC	24 V
Output voltage adjustable	no
Power rating AC max.	63 VA
Device protection Electrical	
Insulation test voltage input - output	4 kV
Mechanical data Mounting data	
Mounting method	geschnappt
Suitable for mounting type	Mounting rail TH35, (EN 60715), Long-hole mounting
Mounting dimension a	56 mm
Mounting dimension b	56 mm
Mounting dimension c	4,8 mm
Height	78 mm
Width	78 mm
Depth	93 mm
Diameter bore	4,8 mm
Length bore	8,4 mm
Environmental characteristics Climatic	
Operating temperature min.	-20 °C
Operating temperature max.	40 °C
Storage temperature min.	-40 °C
Storage temperature max.	80 °C
Conformities, approvals, certificates	
Product standard	EN 61558-2-4, EN 61558-2-6, EN 62041 category 0
Connection type 3	
Connection type 1	Input
Connection type 2	Output
Connection	Screw terminals SK
Family construction form	terminal
Gender	female
No. of poles	3
Connection	Screw terminals SK

Family construction form	terminal
Gender	female
No. of poles	2
Connection	Screw terminals SK
Family construction form	terminal
Gender	female
Color contact carrier	metallic
No. of poles	1