

MTS SINGLE-PHASE CONTROL AND ISOLATION TRANSFORMER

P:63VA IN:400/690VAC OUT:230VAC

Single-phase - Control and Isolation Transformers

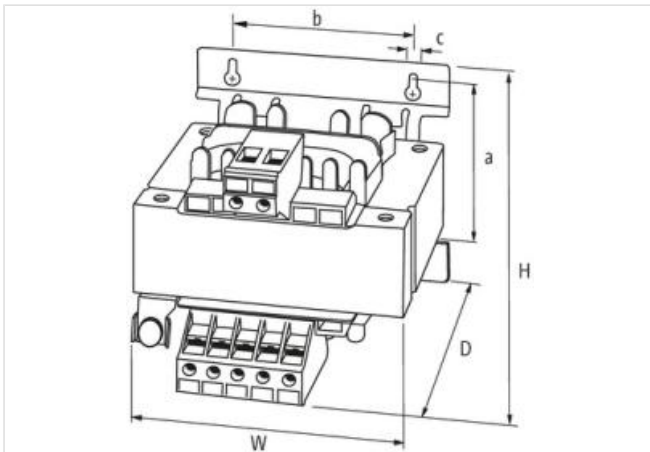
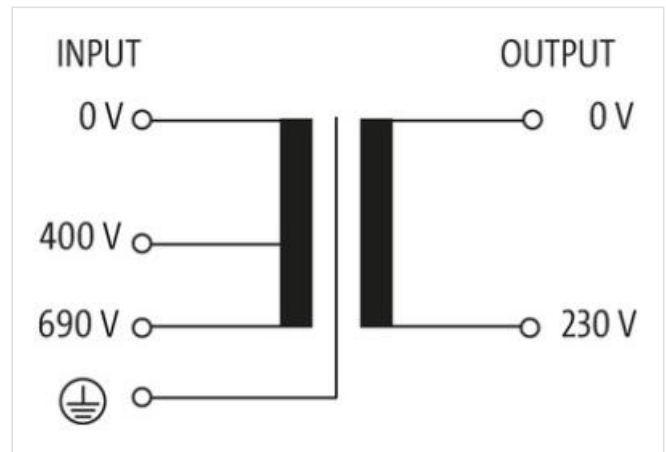
63 VA

Isolation class T 40/B

Other voltages on request.

[Link to Product](#)

Illustration



Product may differ from Image



Commercial data

ECLASS-6.0	27031202
ECLASS-6.1	27031302
ECLASS-7.0	27031302
ECLASS-8.0	27031302
ECLASS-9.0	27031302
ECLASS-10.1	27031302

ECLASS-11.1	27031302
ECLASS-12.0	27031302
ETIM-5.0	EC002485
customs tariff number	85043180
GTIN	4048879073899
Packaging unit	1

Electrical data | Supply

Power frequency	50 ... 60 Hz
-----------------	--------------

Electrical data | Input

Input voltage 1 AC	400 V
Input voltage 2 AC	690 V
Voltage input AC	400 V
Current input at input voltage 1	0,22 A
Current input at input voltage 2	0,13 A
Max. inrush current	1,8 A
Short-circuit current	2 A

Electrical data | Output

Output voltage AC	230 V
Output voltage adjustable	no
Power rating AC max.	63 VA

Device protection | Electrical

Insulation test voltage input - output	6,5 kV
--	--------

Mechanical data | Mounting data

Mounting method	screwed
Suitable for mounting type	mounting rail
Mounting dimension a	56 mm
Mounting dimension b	56 mm
Mounting dimension c	4,8 mm
Height	88 mm
Width	78 mm
Depth	93 mm
Diameter bore	4,8 mm
Length bore	8,4 mm

Environmental characteristics | Climatic

Operating temperature min.	-20 °C
Operating temperature max.	40 °C
Storage temperature min.	-40 °C
Storage temperature max.	80 °C

Conformities, approvals, certificates

Product standard	EN 61558-2-6, EN 62041 category 0
------------------	-----------------------------------

Connection type 3

Connection type 1	Input
Connection type 2	Output
Connection	Screw terminals SK
Family construction form	terminal
Gender	female
No. of poles	3
Connection	Screw terminals SK
Family construction form	terminal
Gender	female
No. of poles	2

Connection	Screw terminals SK
Family construction form	terminal
Gender	female
Color contact carrier	metallic
No. of poles	1