

MICO ELECTRONIC AUXILIARY CIRCUIT, 4 CHANNELS

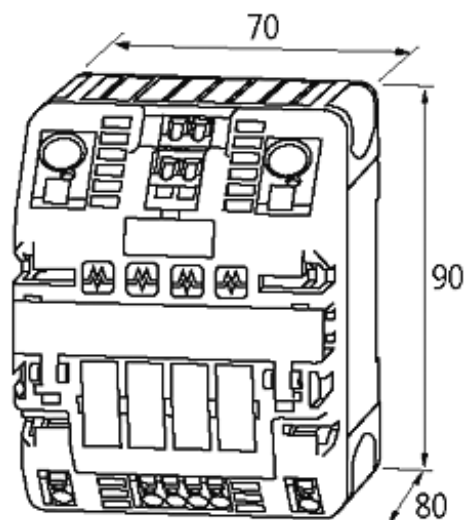
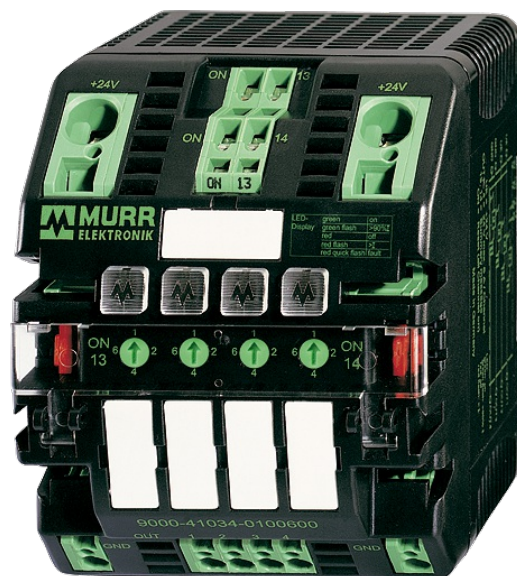
IN: 24VDC OUT: 24V/4-6-8-10ADC

MICO 4.10

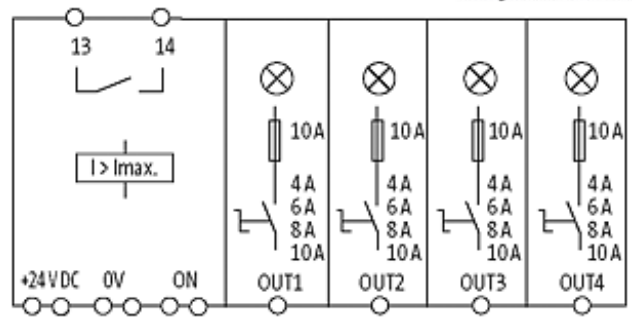
4 channels

Current adjustment 4, 6, 8, 10 A

Fire protection (EN 60950-1) Operating voltage protection (EN 61131-2)

[Link to Product](#)**Illustration**

stay connected



Product may differ from Image

Approvals



Input

Operating voltage 24 V DC (18...30 V DC)

Control inputs

Input voltage (ON) 10...30 V DC

Impulse length (ON) min. 20 ms

Control outputs

Group alarm output potential free 30 V AC/DC, 100 mA

General data

Connection Spring clamp terminals

Input terminals 2 × 16 mm²

Output terminals per output 1 × 4 mm²

Alarm terminals 2.5 mm²

Bridging concept two sides, with spring clamp terminals or bridge set (max. 40 A)

Mounting method DIN-rail mountable TH35 (EN 60715)

Dimensions H × W × D 90×70×80 mm

Temperature range 0...+55 °C (storage temperature -40...+80 °C)

Output

Current adjustment 4 A, 6 A, 8 A, 10 A, by countersunked rotary switch, sealed

Inrush capacity max. 20 mF (per channel)

Commercial data

country of origin CZ

customs tariff number 85363010

EAN 4048879000062

eClass 27141901

Packaging unit 1