

Mico Pro electronic circuit protection, 2 channels

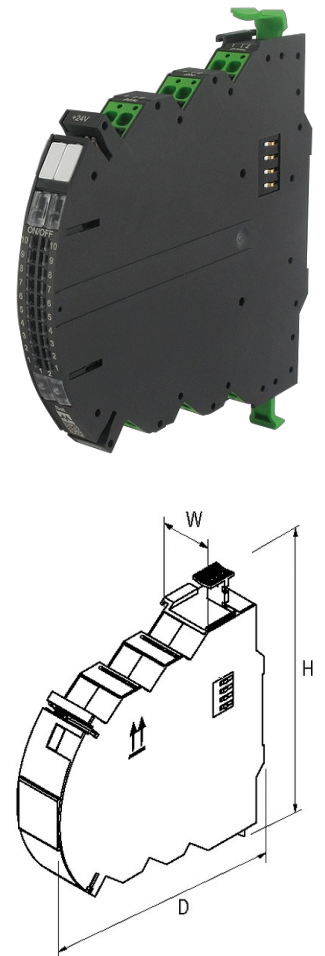
IN: 24 V DC OUT: 24 V DC / 1-2-3-4-5-6-7-8-9-10A

Mico Pro® flex 2.10

2 channels

1, 2, 3, 4, 5, 6, 7, 8, 9, 10 A

Build your own Mico Pro® online:

<https://micopro.murrelektronik.com>**[Link to Product](#)****Illustration**

Product may differ from Image

Approvals**Input**

Operating voltage 12 V DC; 24 V DC (9...30 V DC)

Total current max. 40 A

Control inputs

Input voltage (ON) 9...30 V DC

Impulse length (ON)	"high" 120 ms
Input voltage (CTRL)	9...30 V DC
Impulse length (CTRL)	OFF "high" 40/400 ms, ON "high" 20/200 ms

Control outputs

Group alarm output	via power module
Early warning (90%)	like operating voltage - max. 20 mA, via power module

Connections (IN)

Connection	Bridge system
------------	---------------

Connections (OUT)

Connection	Push-In spring clamp terminals
Cross section (rigid)	0.2...2.5 mm ² (AWG 24...14)
Cross section (flex)	0.2...4 mm ² (AWG 24...12)

General data

Protection	IP20
Bridging concept	Bridge set (max. 40 A)
Mounting method	DIN-rail mountable TH35 (EN 60715)
Temperature range	-25...+55 °C (storage temperature -40...+80 °C)
Dimensions H×W×D	130×12×114 mm

Output

Current adjustment	1, 2, 3, 4, 5, 6, 7, 8, 9, 10 A
No. of channels	2
Inrush capacity	max. 30 mF
Tolerance	0...+20%
Parallel usage/serial usage	-/Selectivity in 2 levels

Commercial data

country of origin	CZ
customs tariff number	85363010
EAN	4048879552721
eClass	27141901
Packaging unit	1